

PRF-RO



PRF-RO

EN	PENTAIR REVERSE OSMOSIS SYSTEM INSTALLATION AND MAINTENANCE MANUAL.....	P.2
FR	SYSTÈME D'OSMOSE INVERSE PENTAIR MANUEL D'INSTALLATION ET DE MAINTENANCE.....	P.19
DE	UMKEHROSMOSE-WASSERFILTERANLAGE PENTAIR EINBAU-UND BETRIEBSANLEITUNG.....	P.36
ES	SISTEMA DE ÓSMOSIS INVERSA PENTAIR MANUAL DE INSTALACIÓN Y MANTENIMIENTO	P.53
IT	SISTEMA AD OSMOSI INVERSA PENTAIR MANUALE DI INSTALLAZIONE E MANUTENZIONE	P.70

TABLE OF CONTENTS

1	SAFETY GUIDES	P. 3
2	THE BASIC REVERSE OSMOSIS SYSTEM	P. 4
3	INSTALLATION	P. 10
4	TO CARE FOR THE RO SYSTEM	P. 14
5	REPLACEMENT OF THE PREFILTER, POSTFILTER, AND RO MEMBRANE ELEMENTS	P. 15
6	SPECIFICATIONS	P. 17
7	TROUBLESHOOTING	P. 18
8	INSTALLATION INFORMATION AND INSTRUCTIONS FOR DRAIN COUPLING, DRAIN-BOA™ MODEL DC 9700	P. 87

1 - SAFETY GUIDES

Read and follow all steps and guides carefully before installing and using your reverse osmosis system. Do not use this product to make safe drinking water from non-potable water sources. Do not use the system on microbiologically unsafe water, or water of unknown quality without adequate disinfection before or after the system.

This reverse osmosis system contains replaceable components (membrane elements). These components are critical for the effective reduction of total dissolved solids and specific contaminants that are listed in the product data sheet.

The reverse osmosis system does not have a monitoring device for contaminants. To verify that the system is performing satisfactorily the product water should be tested periodically by the system's installing dealer or a certified laboratory, every six months. The laboratory should be certified for testing the specific contaminants of concern. For a listing of certified laboratories, contact local regulatory agencies.

Consult your local public works department for plumbing and sanitation codes. Follow your local codes if they differ from this manual.

The reverse osmosis system works on water pressures of 2.8 bar (40 psi) minimum to 5.5 bar (80 psi) maximum. Water pressure can be reduced by installing a pressure reducing valve in the water supply pipe to the RO system. A booster pump should be used for low pressure applications.

Do not install the reverse osmosis system in extreme hot or cold temperatures. Temperature of the water supply to the reverse osmosis system must be between 4°C (40°F) and 38°C (100°F). Do not install on hot water lines.

The reverse osmosis membranes contain a food grade preservative for storage and shipment. All new membranes require a minimum 2 hour rinse to properly rinse out the preservative. The preservative is not harmful but makes the product water taste objectionable.

Rinsing the membrane also acts as a performance conditioner. All new membranes will reach their stable maximum performance after 8 hours of rinsing.

2 - THE BASIC REVERSE OSMOSIS SYSTEM

Your reverse osmosis system is a water treatment unit. It uses water pressure to reverse a natural physical process called osmosis. Water, under pressure, is forced through a semi-permeable membrane to filter out minerals and impurities. Treated drinking water goes to the faucet. Minerals and impurities are sent to the drain with RO waste water.

The system includes replaceable filters and membrane elements. The prefilter reduces sand, silt, dirt, rust particles, other sediments, and chlorine from the water supply before they enter the RO membrane elements. The postfilter reduces any tastes and/or odours that may remain in the water after passing through the RO membrane elements.

Before installing the RO system

- Best performance of the system will be achieved when the incoming water has been treated (softened).
- The water coming into the system must be within certain limits for sediments, pressure, etc. Refer to the specifications to determine if your installation is within the limits.
- A water quality analysis can be performed to determine if incoming water requires any treatment. Contact your dealer/ installer.
- The filters and membrane elements in the RO system need to be replaced on a regular basis. Follow the instructions for replacement that are in this manual.

NOTE: For optimal system performance, use the system for at least 2 minutes continuously each day.

WARNING: The RO system is designed to work without the aid of a pressurized storage tank. Installation of a pressurized storage tank will negatively affect system performance.

Tools and materials required

- Adjustable wrench, and larger adjustable jaw pliers or pipe wrench to fit sink drain
- Saw for cutting drain pipe
- Slotted and Phillips head screwdrivers
- Tubing cutters
- Electric drill and bits for cutting the faucet mounting hole

NOTE: Note that some sinks will have a pre-drilled hole with a plug for the faucet.

2 - THE BASIC REVERSE OSMOSIS SYSTEM

Some configurations may not include all components listed below

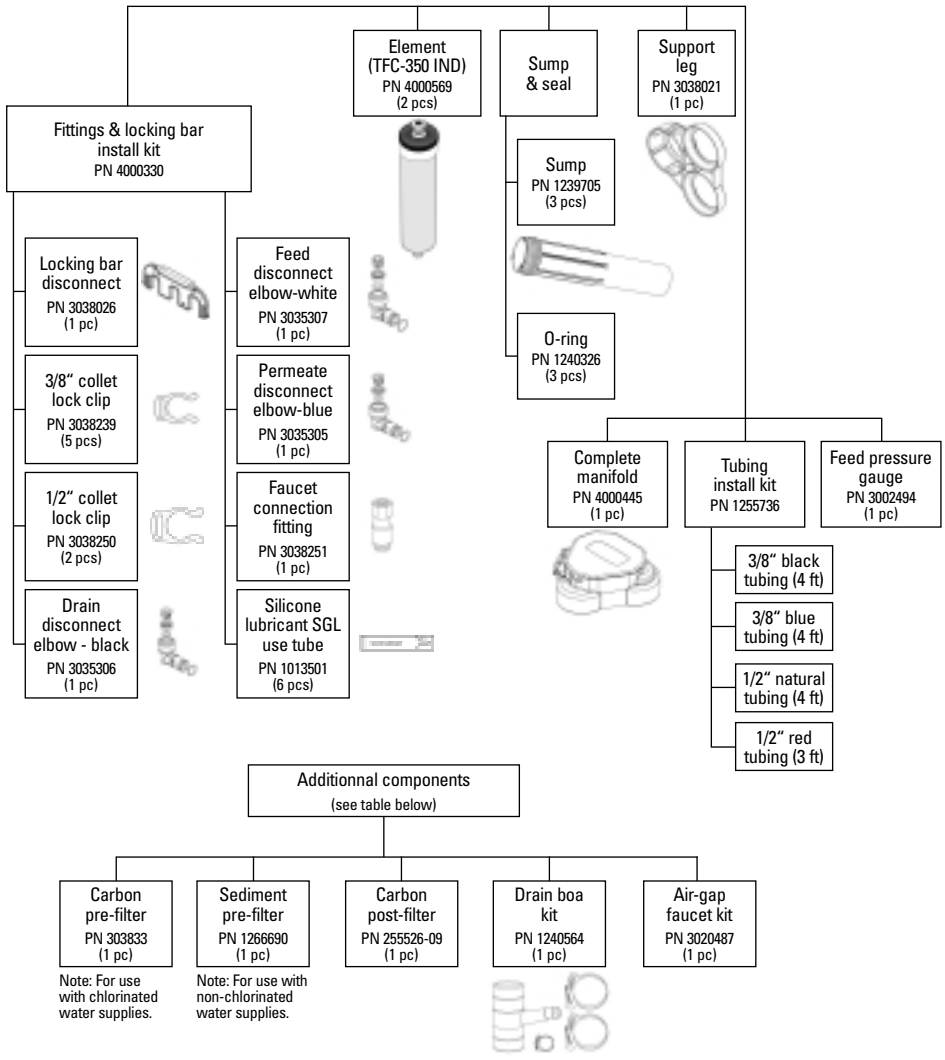


Figure 1

2 - THE BASIC REVERSE OSMOSIS SYSTEM

Location of system

The reverse osmosis system is designed for installation under a sink, usually in the kitchen or bathroom. The RO assembly can be placed on the cabinet floor in any position that does not apply pressure on the disconnect elbows. The RO product water faucet installs on the sink or on the countertop next to the sink.

The RO system can also be located in a location away from the faucet. A nearby water source and drain point are required.

NOTE:

- Keep the lengths of tubing short. Longer lengths of tubing will decrease system performance. A booster pump can be used on the supply line.
- All plumbing should be done in accordance with state and local plumbing codes. Some codes may require installation by a licensed plumber. Check with the local plumbing authority prior to installation.

WARNING: All components and tubing should be located in an area which is not exposed to freezing temperatures. Do not expose unit or tubing to direct sunlight.

Water Supply: To provide supply water to the RO system inlet, a feed supply fitting is required or install pipe fittings as needed. The feed water valve should be located as close to the manifold assembly as possible. USE A POTABLE COLD WATER SUPPLY ONLY. Softened water is preferred as it will extend the life of the RO membrane element.

Drain Point: A suitable drain point is needed for reject water from the RO system. A floor drain, laundry tub, standpipe, sump, etc. are all acceptable. If discharging into the utility sink or standpipe, an air gap of greater than 1/2" above the flood rim must be provided.

A sink p-trap drain adapter is included to install as an optional drain point where codes permit.

Do not connect the system drain line to the dishwasher drain or near the garbage disposal. Back pressure from these units may cause the air gap to overflow.

Faucet: The faucet should be placed near the sink where drinking water is normally obtained. Convenience of use (filling of water pitchers and glasses) and an open area beneath the faucet under the sink for attaching product and drain tubing are considerations.

A 2" diameter flat surface is required above and below the installation site. The thickness of mounting surface should not exceed 1 1/4". Avoid any strengthening webbing on the underside of the sink.

RO Manifold Assembly: The manifold can be installed on either the right or left side of the under-sink area or cabinet. Installation in the basement is also an option. One possible location is near the laundry/ utility sink where cold potable water and drain access are close. The location chosen should allow adequate clearance and accessibility for membrane element changes.

In restricted under-sink areas, it may be easier to install the faucet first. Allow adequate tubing lengths for final system placement.

2 - THE BASIC REVERSE OSMOSIS SYSTEM

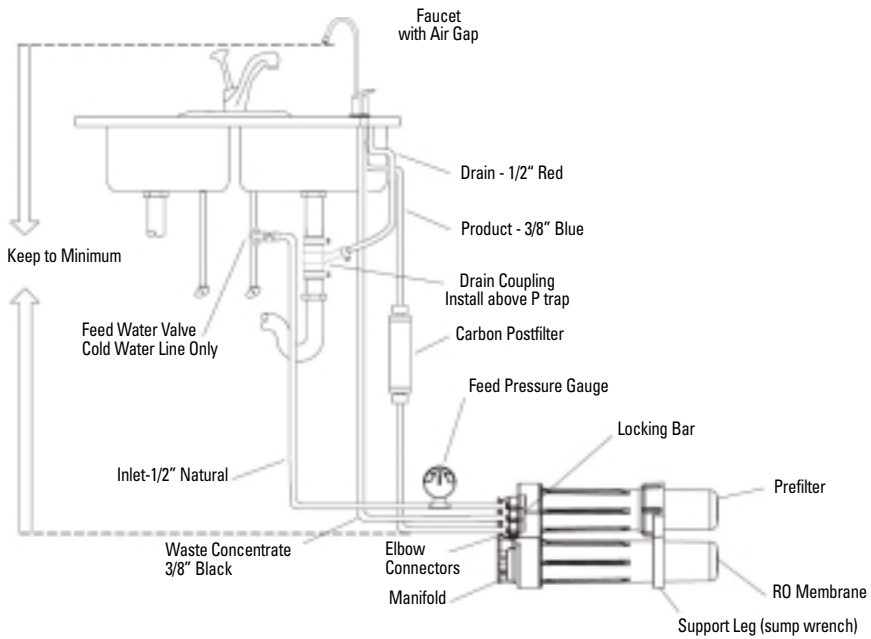
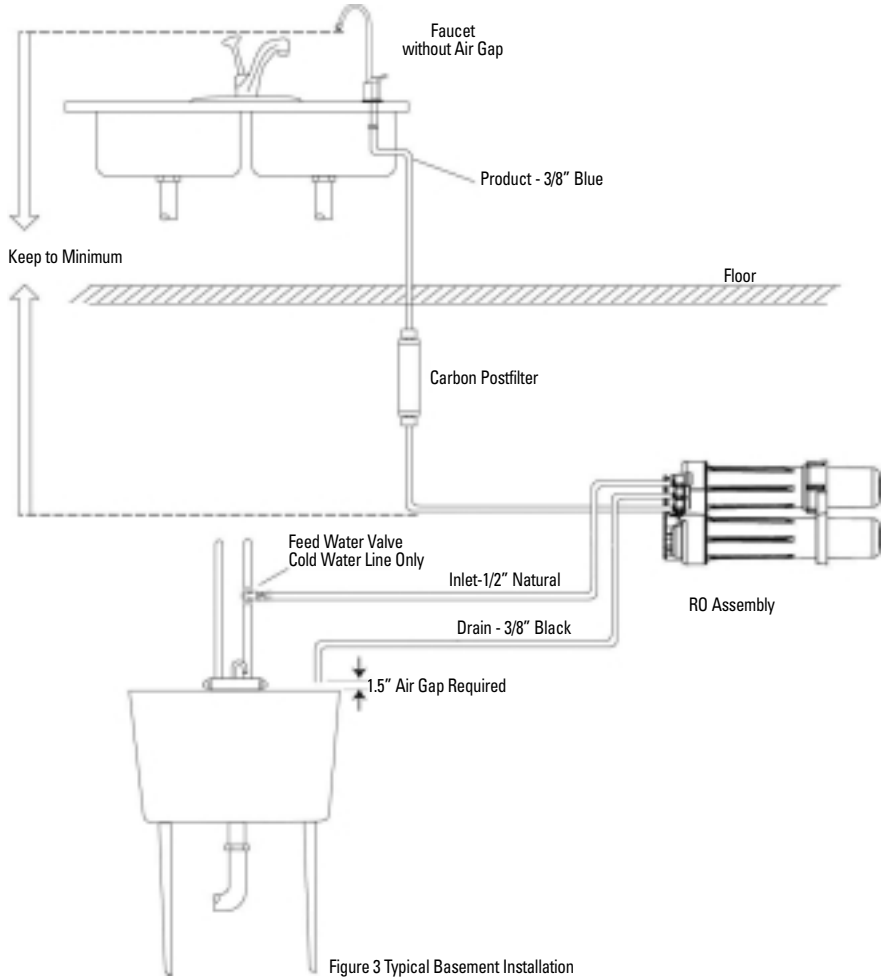


Figure 2 Typical Under Sink Installation

2 - THE BASIC REVERSE OSMOSIS SYSTEM

E
N
G
L
I
S
H



2 - THE BASIC REVERSE OSMOSIS SYSTEM

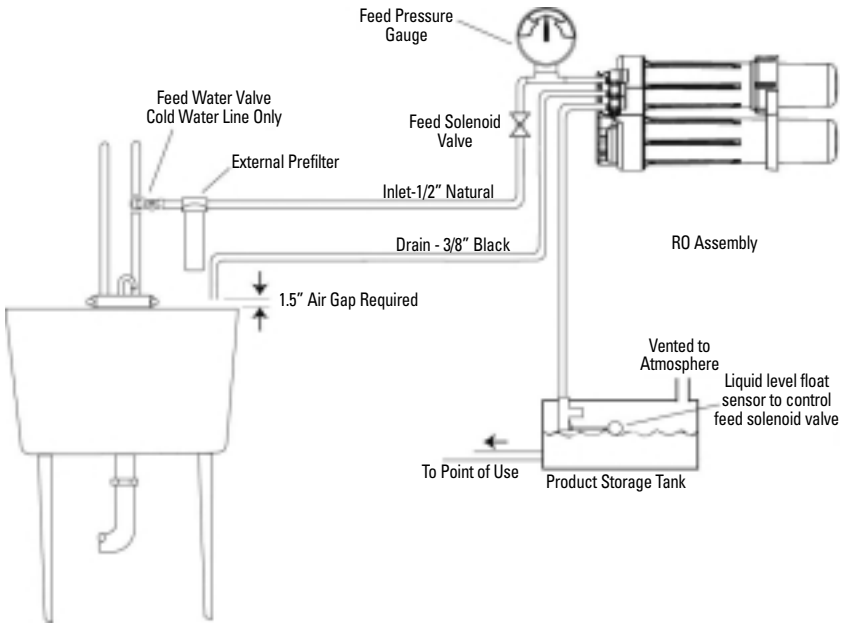


Figure 4 Typical Light Commercial Installation

3 - INSTALLATION

E
N
G
L
I
S
H

STEP 1: Install cold water supply valve

STEP 2: Install drain adapter

STEP 3: Install faucet

STEP 4: Make tubing connections

STEP 5: Install RO assembly

STEP 6: Put system into operation

NOTE: Consult a licensed plumber if you are not familiar with plumbing procedures.

Step 1: Install cold water supply valve

Comply with local plumbing codes. A typical connection using a water supply valve is shown in Figure 5.

Water supply valve

NOTE: Be sure to turn off the water supply and open a low faucet to drain the pipe.

Cold water pipes vary in size and style. The installer will determine the type of valve that will be used. Install a valve on the cold water supply pipe to adapt 1/2" OD tubing. If threaded fittings are used, be sure to use pipe joint compound or Teflon tape on outside threads. Turn the valve off.

Step 2: Install drain adapter

Follow the instructions in the Appendix for installation of the Drain Boa™, if used.

The drain adapter is designed to fit 1 1/2 (3.8 cm) sink drain pipe. The adapter installs directly to the sink tailpiece.

Step 3: Install faucet

A. Prepare mounting hole

1. Select a location for the faucet. Be sure it will fit flat against the sink or counter and that there is space underneath for tubing.

2. If drilling is needed, make a 1 1/2 diameter hole.

WARNING: To avoid damaging a sink, consult a qualified plumber or installer for the proper method of drilling holes in porcelain or stainless steel.

B. Assemble faucet

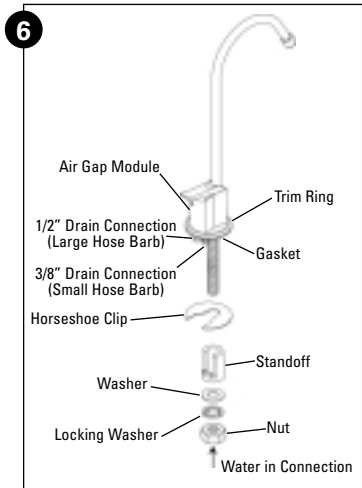
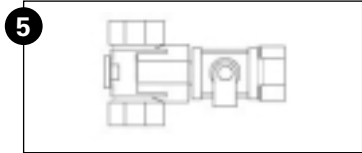
The tubing and fasteners are assembled to the faucet before the faucet is placed in position. This can be done above the sink.

1. Slide the decorative ring over the tubing connections and up to the bottom of the faucet.

2. Slide the gasket over the tubing connections and up to the bottom of the faucet.

3. Slide the standoff onto the threaded tube, followed by the standard washer, the lock washer and nut.

4. Screw the threaded hose connector on the end of the threaded tube.



3 - INSTALLATION

5. Connect the blue 3/8" product tubing by firmly pushing it into the connector.
6. Push the black 3/8" tubing onto the small hose barb. The red 1/2" tubing is pushed onto the large hose barb.
7. Put the faucet into position.
8. The horseshoe clip is positioned around the threaded pipe under the sink and above the standoff. This clip should engage the tubing connected to the air gap.
9. Tighten the nut against the clip to hold the faucet in position.

Step 4: Make tubing connections

The connections to the faucet should be complete, the remaining connections are:

- Feed connection-clear tubing from feed valve to white elbow connector
- Drain connection-either red tubing from the air gap or black tubing from grey elbow connector will attach to the drain adapter
- Permeate connection-blue tubing from faucet to blue elbow connection
- Attach the fittings to the manifold

A typical connection is shown in Figure 7: Side View and Cutaway of Tubing Fitting.

NOTE: For optimal system performance, we recommend using tubing lengths that are as short as possible.

Postfilter

Install the postfilter in line with the blue permeate tubing. Make sure flow direction aligns with water path. Secure tubing with collet lock clips.

Drain adapter (optional)

The drain adapter has a rubber inlet that accepts the 3/8" black drain tube or the 1/2" red tube. The 3/8" black tubing will connect here if the faucet is not using the air gap module. When the tubing is in position, use the supplied hose clamps to secure the connection.

NOTE: When sliding tubing into the drain adapter inlet, wet the tubing. Water will help the tubing slide into the rubber inlet.

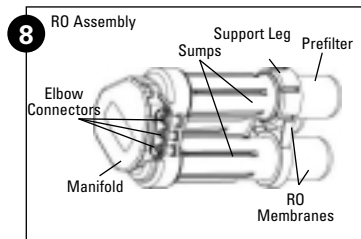
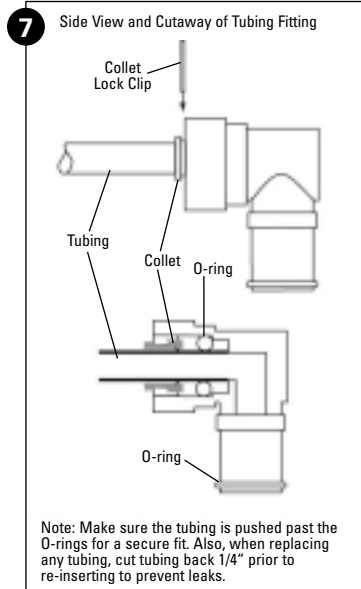
Feed pressure gauge

The supplied pressure gauge can be connected to the feed line to monitor system feed pressure. For proper system performance, the dynamic feed pressure must be between 2.76 bar (40 psi) and 5.52 bar (80 psi) when the system is in operation.

CAUTION: The feed pressure gauge is intended for use only during installation and troubleshooting of the RO system. The pressure gauge should be removed during normal system operation because some regulatory agencies did not evaluate the RO system with the feed pressure gauge in place.

Step 5: Install RO assembly

The RO assembly includes the following components: sumps (3), support leg, prefilter, RO membrane elements (2), and postfilter. The tubing is attached to the manifold by the elbow connectors. When choosing a location for the system, allow enough tubing for it to be moved for periodic servicing of the filters and membrane elements (Figure 8: RO assembly).



3 - INSTALLATION

E
N
G
L
I
S
H

WARNING: Do not attempt to mount/hang the system. Do not try to drill mounting holes anywhere on the system. If putting above ground/cabinet level, a sturdy, permanent shelf is recommended.

Recommended placement positions

The RO assembly should be positioned in one of two ways. The first position is with the unit standing upright using the support leg with the sumps horizontal. The tubing is directed to provide the best fit.

The second position, sets the unit on end so the sumps are pointing up. The tubing is directed upward and the locking bar is down to lock the tubing connections. See Figure 9: System Positions.

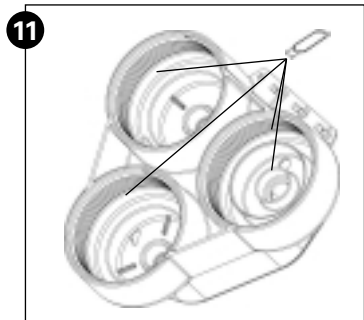
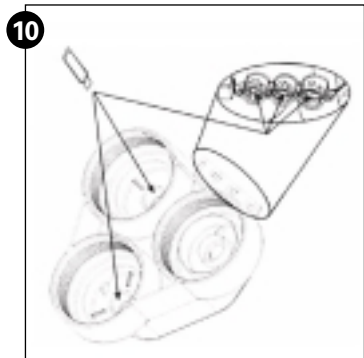
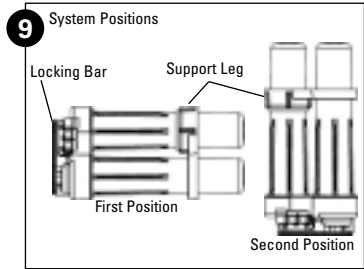
NOTE: Ensure that the support leg is installed on the sumps.

Connection lubrication

Connections with O-rings must be properly lubricated. The following instructions describe the method and locations for lubrication.

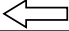

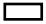
Six packets of silicone lube are supplied. One packet should be completely used to lubricate the O-ring contact surfaces in the 3 manifold ports and 2 RO membrane locations (Figure 10). Follow figure 11 and lubricate the filter seat and the flat surface below the threads for the 3 sump locations. Use a complete packet of silicone for each sump location.

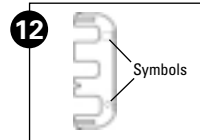
NOTE: To properly lubricate the O-ring contact area, a film of clean silicone grease is applied. The film should cover all of the surface area that the O-ring will slide over and seal with. Do not use grease containing petroleum products.



3 - INSTALLATION

The table below shows the coding system for the fitting connections. Each fitting has a unique “keyed” socket on the manifold. Each fitting also has a graphic symbol molded into the elbow with a corresponding symbol on the manifold.

Connector symbol	Connection	Tubing color
	Feed-Inlet	Natural
	Concentrate	Black
	Product	Blue



WARNING: Be sure to lubricate the manifold ports with silicone lubricant, prior to inserting the fittings into manifold.

WARNING: Do not turn the incoming water valve on until the locking bar is in place. When all of the connections have been made, use the locking bar to hold the fittings in position. Match the symbols on the locking bar to the corresponding symbols on the manifold (Figure 12).

Step 6: System startup

1. Inspect all connections.
2. Position manifold horizontal with openings facing up.
3. Remove new membrane elements from plastic packaging.
The black and yellow tapes surrounding the membrane are an important part of the membrane element and should not be removed.
- CAUTION:** Elements contain a foodgrade preservative. The use of sterile/latex gloves is recommended.
4. Lubricate all O-ring seats in the manifold that come in contact with the sump and element O-rings. Refer to chapter "Connection Lubrication".
- NOTE:** To properly lubricate the O-ring contact area, a film of clean silicone grease is applied. The film should cover all of the surface area that the O-ring will slide over and seal with. Do not use grease containing petroleum products.
5. Securely insert O-ring end of membrane elements into manifold.
6. Remove prefilter from packaging. Check that gaskets are in place.
7. Place prefilter in manifold.
8. Replace sumps and tighten until it bottoms out.

Pressure test system

To check for leaks, the system must be filled with water and brought up to operating pressure.

1. Open cold water feed valve slowly. Run at 1/2 open for a minute, then open fully.
 2. Open faucet until water runs.
 3. Check for leaks.
 - NOTE:** When the faucet is initially turned on, water may temporarily sputter from the air gap until the air is purged. Allow 1 to 3 hours for any trapped air noise in the system to subside.
 4. Purge the system. Open the faucet and run the water through the RO system for two to eight hours.
 - NOTE:** A minimum of 2 hour flush is required to remove the food grade preservative. After 8 hours performance will reach its stable maximum performance.
- The RO system is now ready for use.

4 - TO CARE FOR THE RO SYSTEM

The components of the RO system are designed to function with minimal maintenance. However, the membrane elements and filters will need to be replaced on a regular schedule.

For optimal performance the system should be flushed for 2 minutes if periods of inactivity extend past six hours.

Replacement of prefilter and postfilter

The carbon/sediment prefilter reduces sediment and certain chemicals, such as chlorine, from the water. Depending on water use and the amount of impurities, this filter should be replaced every six to twelve months for point-of-use applications.

Whenever the prefilter is replaced, the postfilter should also be replaced.

Installations using more than 75,7 liter (20 gallons) product water per day should install external filters (not supplied) to reduce chlorine and sediment larger than 10 microns.

Replacement of RO membrane elements

The functional life of the RO membrane elements will vary based on feed water quality. Product water should be tested periodically to verify the membrane elements are performing properly. For most point-of-use applications, the RO membrane elements should be replaced every two to four years.

NOTE: Softened water is recommended for optimal system performance and RO membrane element life.

5 - REPLACEMENT OF THE PREFILTER, POSTFILTER, AND RO MEMBRANE ELEMENTS

1. Turn off the water supply to the RO System.
2. Reduce system water pressure by opening the faucet.

CAUTION: Even with the water supply turned off the membrane and prefilter sumps will contain a considerable amount of water. By positioning the RO assembly in a sink or tub, most of the water will be contained.

3. Disconnect locking bar and place the fittings (with tubing still connected) into a tub or bucket.
4. Move system into a contained area, such as a sink or tub.
5. Remove the support leg from the three sumps and unscrew the top sump as shown to access the prefilter element. The support leg functions as a wrench to loosen the sump, Figure 13.

NOTE:

- There is no need to disconnect tubing from fittings on the manifold. Remove locking bar and pull fittings out. Lubricate O-rings with silicone prior to re-assembly.
- If changing only the prefilter and postfilter, the other sumps do not need to be removed.

If changing the membrane elements, the prefilter and postfilter should also be changed.

6. Remove exhausted prefilter and discard.

CAUTION: The person handling the filters and membrane elements must have clean hands to keep the system sanitized. The use of sterile/latex gloves is recommended.

7. If changing membrane elements:

- a. Remove membrane sumps. Remove and discard used elements.
- b. Remove new elements from packaging.

CAUTION: Elements contain a foodgrade preservative. The use of sterile/latex gloves is highly recommended.

- c. Lubricate element O-rings, brine seals, and sump O-rings with silicone lubricant. Refer to chapter "Connection Lubrication" for correct lubrication procedure of elements cartridge.
- d. Securely insert O-ring end of elements into manifold. See Figure 13.

- e. Replace sumps and tighten until it bottoms out.

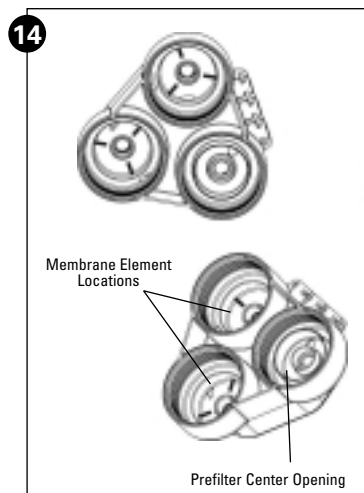
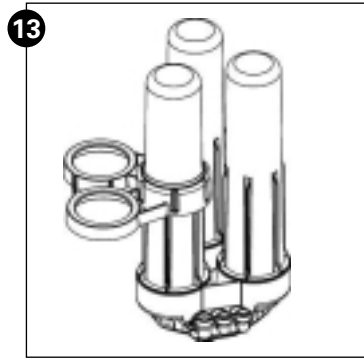
NOTE: The system should be sanitized whenever a membrane element or filter is replaced.

8. Sanitize the system.

- a. The manifold should be positioned flat with the sump connections facing up.
- b. Pour a tablespoon (15 milliliters) of chlorine bleach into the center opening of the prefilter sump connection. See Figure 14.

9. Install prefilter.

- a. Remove new prefilter from packaging. Ensure gaskets are secure. Insert prefilter into proper opening on manifold.
- b. Lubricate sump O-ring with silicone lubricant.
- c. With the prefilter element in place, screw the sump into the connection. Tighten until it bottoms out.



5 - REPLACEMENT OF THE PREFILTER, POSTFILTER, AND RO MEMBRANE ELEMENTS

10. Replace the postfilter.

a. To unlock the fittings from the tubing, push down on the collet sleeves and pull the tubing out.

b. Discard the exhausted postfilter.

c. To prevent leaks, cut the tubing back approximately 1/4" prior to connecting the new postfilter. Make sure flow direction arrow aligns with water path. Reinsert tubing and collect locks.

11. Re-connect the fittings to the manifold and lock in position with locking bar.

12. Re-position the assembly and turn the water supply on. Check the system for any leaks.

CAUTION: When the faucet is opened, water may sputter from the air gap until the trapped air is purged.

13. Open the faucet and run water for two minutes.

NOTE: Carbon fines may be present until the postfilter element is flushed out.

14. Shut off the faucet and allow the system to stand idle for 20 to 30 minutes.

15. Open the faucet and run water for five minutes.

16. Check for any system leaks.

NOTE: If the two RO membrane elements were replaced the system must be flushed according to Step 6 the system startup procedure as stated above.

The RO system is now ready for use.

6 - SPECIFICATIONS

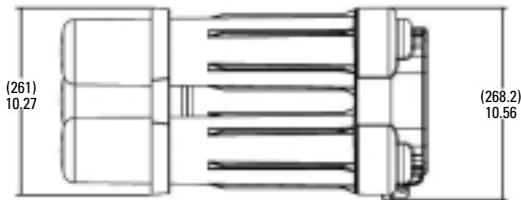
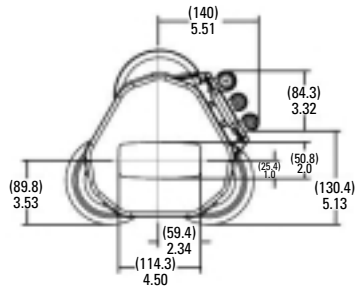
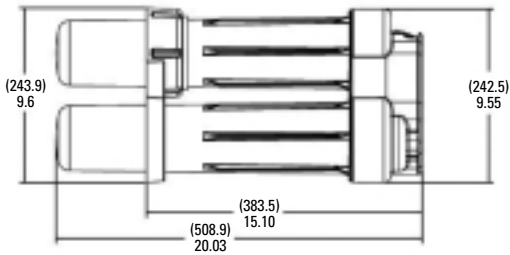
Performances

Minimum and maximum operating conditions

Condition	Minimum	Maximum
Inlet Pressure	2.76 bar (40 psi)	5.52 bar (80 psi)
Inlet Temperature	4.44°C (40°F)	37.78°C (100°F)
Inlet TDS	50 mg/L	2,000 mg/L
Inlet Hardness	0 mg/L (0 grain)	171 mg/L (10 grain)
Inlet Chlorine	0 mg/L	1.0 mg/L
Inlet Iron	0 mg/L	0.1 mg/L
Inlet Manganese	0 mg/L	0.05 mg/L
Inlet pH	4	10
Inlet Turbidity	0	1 NTU

E
N
G
L
I
S
H

Dimensions



7 - TROUBLESHOOTING

E
N
G
L
I
S
H

Issue	Possible Cause	Corrective Action
Low product flow rate	Low driving pressure	Increase feed pressure. Consider pump for low pressure locations. Use short tubing runs to decrease flow restriction. Increase tubing diameter for longer distances.
	Low water temperature or high total dissolved solids (TDS)	Increase feed water temperature or feed pressure to compensate.
	Plugged prefilter	Replace plugged prefilter. Consider sediment prefilter for non-chlorinated applications.
	Scaled or fouled RO membrane	Replace membranes.
	Faucets not adjusted properly	Adjust faucet t-bar setting as tight as possible without causing leaks from the faucet.
	Plugged postfilter	If flow into the postfilter is acceptable, replace postfilter.
	Leak or kink in product line	Find and repair leak or kink.
Concentrate water runs to drain after faucet shut off	Plugged prefilter	Replace plugged prefilter. Consider sediment prefilter for non-chlorinated applications.
	Leak in product line	Find and repair leak. Install pressure gauge in product line to help identify a product pressure leak.
Poor product water quality	Water sample taken during system flush	Take sample after three minutes of continuous operation.
	Low driving pressure	Increase feed pressure. Consider pump for low pressure locations. Use short tubing runs to decrease flow restriction. Increase tubing diameter for longer distances.
	Plugged prefilter	Replace plugged prefilter. Consider sediment prefilter for non-chlorinated applications.
	Scaled, fouled, or damaged RO membrane	Replace RO membranes.

TABLE DES MATIÈRES

1	MESURES DE SÉCURITÉ	P. 20
2	SYSTÈME D'OSMOSE INVERSE BASIQUE	P. 21
3	INSTALLATION	P. 27
4	ENTRETIEN DU SYSTÈME OI	P. 31
5	REMPACEMENT DU PRÉFILTRE, DU FILTRE DE SORTIE ET DES MEMBRANES OI	P. 32
6	SPÉCIFICATIONS	P. 34
7	GUIDE DE DÉPANNAGE	P. 35
8	INFORMATION ET INSTRUCTIONS D'INSTALLATION POUR RACCORD À L'ÉGOUT, DRAIN-BOA™ MODÈLE DC 9700	P. 87

1 - MESURES DE SECURITE

Lisez et effectuez attentivement toutes les étapes et les mises en garde avant d'installer et d'utiliser votre système d'osmose inverse.

N'utilisez pas ce produit pour obtenir de l'eau traitée à partir de sources d'eau non potable. Cet appareil n'est pas prévu pour traiter de l'eau microbiologiquement dangereuse ou de qualité inconnue sans prévoir, avant ou après, une désinfection adéquate.

Ce système d'osmose inverse contient des consommables (membranes). Ces composants sont essentiels pour une réduction efficace dans l'eau des sels dissouts et de certains contaminants listés sur le feuillet technique du système.

Le système d'osmose inverse n'inclut pas de dispositif de surveillance des contaminants. Afin d'être certain que le système fonctionne correctement, l'eau purifiée par ce système devrait être testée régulièrement (tous les 6 mois) par l'installateur ou un laboratoire certifié.

Consultez l'administration compétente pour obtenir les codes de plomberie à l'installation du système. Suivez les codes locaux s'ils diffèrent de ceux de ce manuel.

Cet appareil d'osmose inverse fonctionne à une pression d'eau comprise entre 2.8 bars (40 psi) minimum et 5.5 bars (80 psi) maximum. La pression de l'eau peut être réduite en installant une vanne de réduction de pression dans le conduit d'arrivée d'eau relié à l'appareil d'osmose inverse. Un surpresseur doit être utilisé si la pression est faible.

Ne soumettez pas cet appareil à des températures extrêmes, froides ou chaudes. La température de l'arrivée d'eau à l'appareil doit être comprise entre 4°C (40°F) et 38°C (100°F). N'installez pas le système sur une canalisation d'eau chaude.

Les membranes d'osmose inverse contiennent un conservateur alimentaire pour le stockage et le transport. Chaque membrane neuve doit être rincée pendant 2 heures au moins afin d'éliminer toute trace du conservateur. Le conservateur n'est pas nocif mais donne un goût désagréable à l'eau.

Ce rinçage agit aussi sur la performance de la membrane : chaque membrane neuve atteindra sa performance maximale après 8 heures de rinçage.

2 - SYSTEME D'OSMOSE INVERSE BASIQUE

Votre système d'osmose inverse (OI) est un appareil de traitement de l'eau. Il utilise la pression de l'eau pour inverser un processus physique naturel appelé osmose. L'eau, sous pression, passe à travers une membrane semi-perméable pour filtrer les minéraux et les impuretés. L'eau potable propre arrive au robinet tandis que les minéraux et les impuretés sont envoyés à l'égout avec les eaux usées de l'OI.

Le système comporte des filtres et des membranes remplaçables. Le préfiltre élimine le sable, le limon, les saletés, les particules de rouille, les autres sédiments et le chlore présents dans l'eau avant son passage dans les membranes d'OI. Le filtre de sortie élimine tous les goûts et/ou les odeurs qui persistent parfois dans l'eau après son passage à travers les membranes OI.

Avant d'installer le système OI

- Le système fonctionnera au mieux de sa performance lorsque l'eau à l'entrée aura été traitée (adoucie).
- L'eau d'entrée du système doit présenter certaines limites en termes de sédiments, pression, etc. Reportez-vous aux caractéristiques techniques pour savoir si votre installation se trouve bien dans ces limites.
- Une analyse de la qualité de l'eau peut être réalisée pour évaluer si l'eau d'entrée doit être traitée. Contactez votre distributeur/installateur.
- Les filtres et membranes du système OI doivent être remplacés régulièrement. Suivez les instructions de remplacement incluses dans le présent manuel.

REMARQUE : Pour un fonctionnement optimal du système, faites fonctionner l'appareil au moins 2 minutes en continu chaque jour.

AVERTISSEMENT : Le système OI est conçu pour fonctionner sans réservoir de stockage. NE PAS brancher un réservoir de stockage pressurisé au tuyau de perméat. L'utilisation d'un réservoir pressurisé affectera négativement les performances du système.

Outils et matériel nécessaires

- Clé anglaise et pinces à tête réglable plus grosses ou une clé à pipe pour le rejet de l'évier
- Scie pour couper le tuyau de rejet
- Tournevis cruciforme et tournevis pour écrous à fente
- Coupe-tube
- Perceuse électrique et mèches pour couper l'orifice de montage du robinet

REMARQUE : Certains éviers disposent d'un trou déjà percé avec une bonde pour le robinet.

2 - SYSTEME D'OSMOSE INVERSE BASIQUE

FRANÇAIS

Certaines configurations n'incluent pas nécessairement tous les composants listés ci-dessous

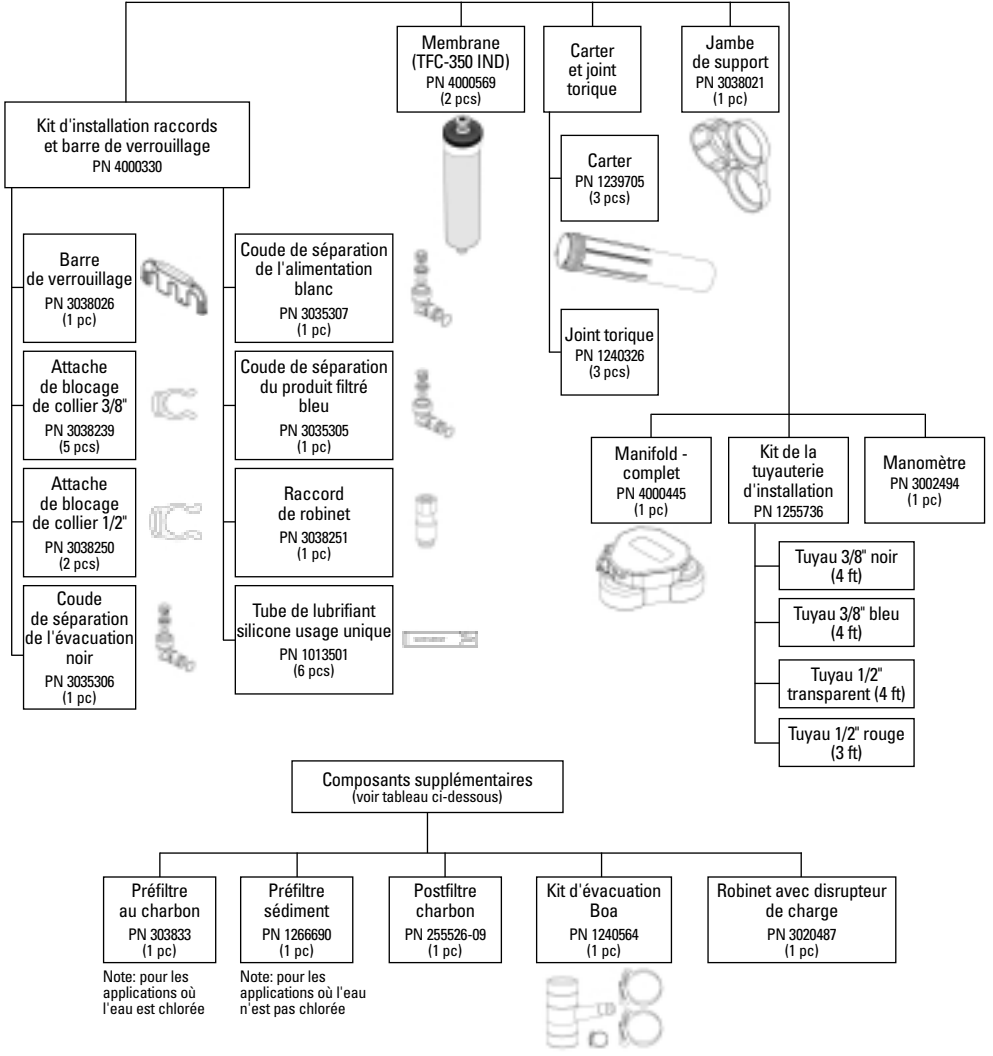


Figure 1

2 - SYSTEME D'OSMOSE INVERSE BASIQUE

Emplacement du système

Le système d'osmose inverse est conçu pour être installé sous un évier, généralement dans la cuisine ou la salle de bain. Il peut être posé sur le sol dans une position qui n'induit pas de pression sur les coudes de déconnexion. Le robinet d'eau traitée OI s'installe sur l'évier ou sur le plan de travail à côté de l'évier.

L'appareil peut également être placé à distance du robinet. Pour cela, une source d'alimentation en eau et un rejet à l'égout sont nécessaires.

REMARQUE :

- N'utilisez pas de tuyaux trop longs car cela affaiblirait les performances du système. Un surpresseur peut être utilisé sur la conduite d'arrivée d'eau.
- Toute la tuyauterie doit être réalisée conformément aux réglementations nationales et locales. Certaines législations requièrent parfois l'installation par un plombier agréé; vérifiez avec les autorités locales avant de procéder à l'installation.

AVERTISSEMENT : Tous les composants et les tuyaux doivent être placés dans une zone qui n'est pas exposée au gel. Ne pas exposer l'appareil ou les tuyaux à la lumière du soleil.

Alimentation en eau : Pour amener l'eau à l'entrée du système OI, un raccord sur la conduite d'arrivée d'eau principale est nécessaire ou l'installation de raccords de canalisation peut être nécessaire. La vanne d'arrivée d'eau doit être aussi proche que possible du manifold. **UTILISEZ UNIQUEMENT UNE ARRIVEE D'EAU POTABLE.** L'eau adoucie est préférable car elle prolonge la vie de la membrane OI.

Rejet à l'égout : Un rejet à l'égout approprié est nécessaire pour l'évacuation de l'eau rejetée par le système OI. Un siphon de sol, un bac à laver, un tuyau de chute, un puisard, etc. sont tous acceptables. Si le rejet se fait dans un évier de buanderie ou par la colonne de service, un espace d'air supérieur à 3,8 cm (1/2") doit être prévu au-dessus de la surface d'évacuation. Un adaptateur de siphon en P pour évier est prévu pour être installé comme rejet à l'égout optionnel lorsque la réglementation le permet.

Ne pas relier le tuyau d'évacuation du système au tuyau de rejet du lave-vaisselle ou près du traitement des ordures. La pression de retour de ces appareils risque de provoquer le refoulement du disjoncteur de charge.

Robinet de distribution : Le robinet doit être placé près de l'évier, là où l'eau de boisson est habituellement distribuée. La commodité d'utilisation (remplissage de pichets et de verres d'eau) et une zone dégagée au dessous du robinet sous l'évier pour fixer le tuyau d'eau traitée et le rejet à l'égout sont des considérations à prendre en compte. Une surface plate d'un diamètre de 5 cm (2") est nécessaire au-dessus et au-dessous du lieu d'installation. L'épaisseur de la surface de montage ne doit pas dépasser 3,2 cm (1"1/4). Évitez toute sangle de maintien sous le dessous de l'évier.

Manifold : Le manifold peut être installé à droite ou à gauche sous l'évier ou dans le meuble. L'installation au sous-sol est également possible, par exemple, près de l'évier de la buanderie, là où l'arrivée d'eau froide potable et l'accès à l'égout sont proches. L'emplacement choisi doit laisser suffisamment d'espace pour permettre le remplacement des membranes.

Lorsque l'espace sous l'évier est restreint, il sera plus facile d'installer en premier le robinet. Laissez une longueur de tuyau appropriée pour l'installation finale du système.

2 - SYSTEME D'OSMOSE INVERSE BASIQUE

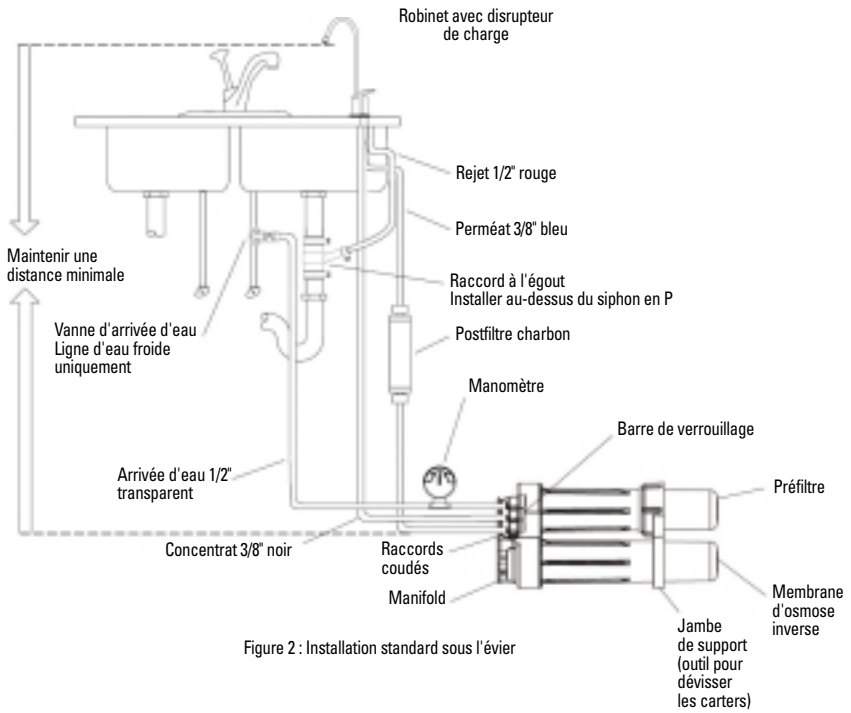


Figure 2 : Installation standard sous l'évier

2 - SYSTEME D'OSMOSE INVERSE BASIQUE

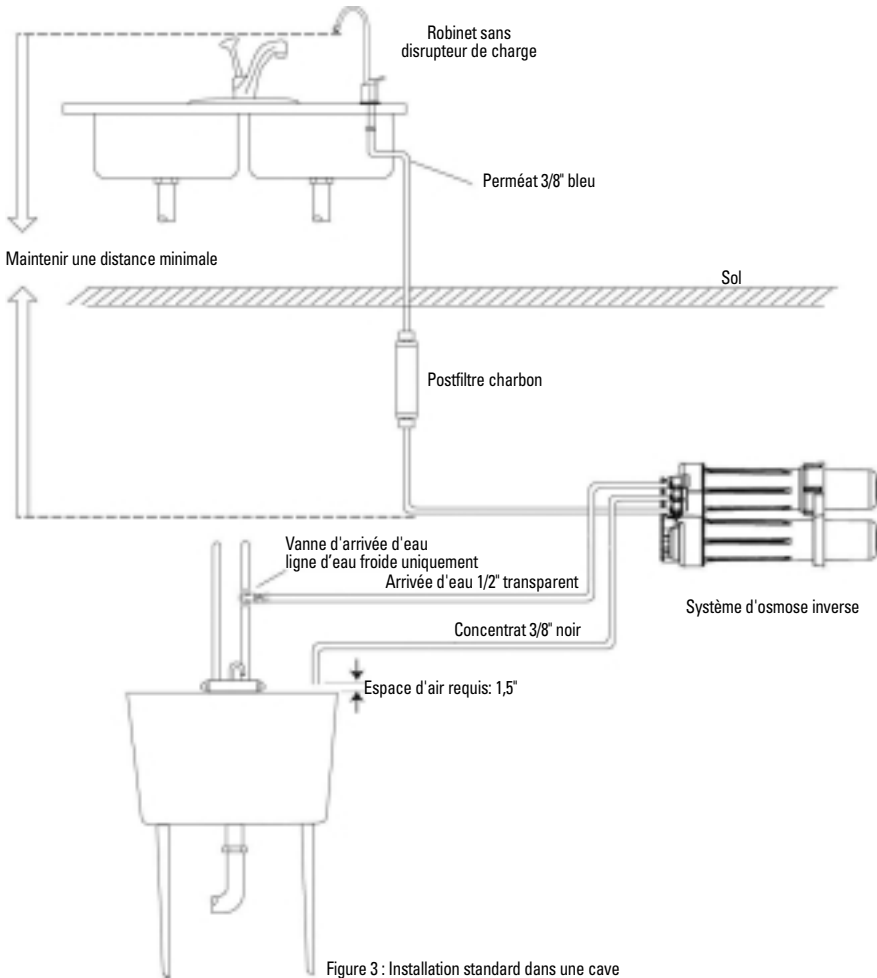


Figure 3 : Installation standard dans une cave

2 - SYSTEME D'OSMOSE INVERSE BASIQUE

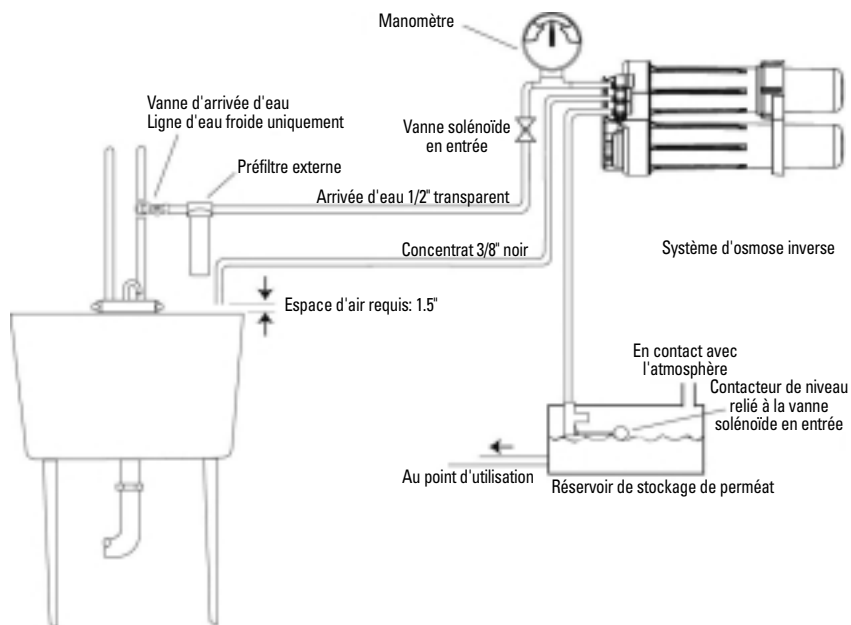


Figure 4 : Installation semi-commerciale standard

3 - INSTALLATION

ETAPE 1 : Installation de la vanne d'alimentation d'eau froide

ETAPE 2 : Installation de l'adaptateur pour le rejet à l'égout

ETAPE 3 : Installation du robinet

ETAPE 4 : Raccords de tuyauterie

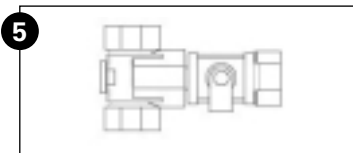
ETAPE 5 : Installation du module OI

ETAPE 6 : Mise en route du système

REMARQUE : Prenez contact avec un plombier professionnel si vous n'êtes pas familier avec les procédures de plomberie.

Étape 1 : Installation de la vanne d'alimentation en eau froide

Respectez la réglementation locale sur la plomberie. Un raccord typique utilisant une vanne d'alimentation d'eau est montré (Figure 5).



Vanne d'alimentation en eau

REMARQUE : Veillez à couper l'arrivée d'eau et à ouvrir un robinet inférieure pour purger la tuyauterie.

Les canalisations d'eau froide varient en taille et en type. L'installateur déterminera le type de vanne à utiliser. Installez une vanne sur la canalisation d'arrivée d'eau froide pour l'adapter à un tube OD de 1/2". Si les raccords filetés sont usés, veillez à utiliser une pâte d'étanchéité ou du ruban Téflon sur les filets extérieurs. Fermez la vanne.

Étape 2 : Installation de l'adaptateur pour l'évacuation

Suivez les instructions de l'Annexe pour l'installation du raccord d'évacuation Drain Boa™.

L'adaptateur d'évacuation est conçu pour être raccordé à un tuyau d'évacuation d'évier de 1 1/2". L'adaptateur s'installe directement sur l'extrémité de l'évier.

Étape 3 : Installation du robinet

A. Préparez l'orifice de montage

1. Choisissez un emplacement pour le robinet. Veillez à ce qu'il se monte à plat contre l'évier ou le plan de travail et qu'il existe suffisamment d'espace au-dessous pour les tuyaux.

2. Si un perçage est nécessaire, effectuez un trou d'un diamètre de 1 1/2".

AVERTISSEMENT : Pour éviter d'endommager un évier, consultez un plombier qualifié ou l'installateur pour connaître la méthode appropriée de perçage des trous dans la porcelaine ou l'acier inoxydable.

B. Assemblage du robinet

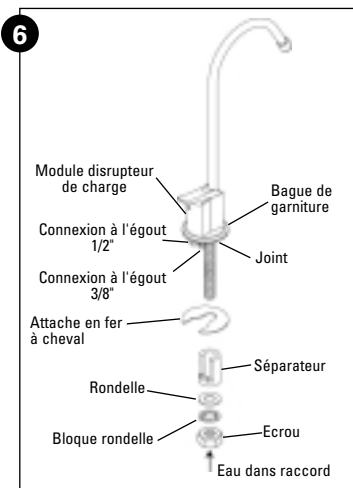
Les tuyaux et les attaches se montent sur le robinet avant la mise en place de celui-ci.

1. Faites glisser la bague décorative sur les tuyaux jusqu'en bas du robinet.

2. Faites glisser le joint sur les tuyaux jusqu'en bas du robinet.

3. Faites glisser le séparateur sur le tuyau fileté, suivi par la rondelle et l'écrou standard.

4. Vissez le raccord fileté du tuyau flexible sur l'extrémité du tuyau fileté.



3 - INSTALLATION

5. Branchez le tuyau bleu d'eau traitée de 3/8" en l'enfonçant fermement dans le raccord.
6. Si vous utilisez le disrupteur de charge, enfoncez le tuyau noir de 3/8" dans le petit raccord cannelé du collier. Le tuyau rouge de 1/2" s'enfonce dans le gros raccord cannelé.
7. Placez le robinet en position.
8. L'attache en fer à cheval se place autour du tube fileté sous l'évier et au-dessus du séparateur. Les tuyaux connectés au disrupteur de charge doivent s'y engager.
9. Serrez l'écrou contre l'attache pour maintenir le robinet en position.

Etape 4 : Raccords de tuyauterie

- Raccord d'alimentation : tuyau transparent de la vanne d'alimentation au raccord coudé blanc
- Raccord d'évacuation : le tube rouge du disrupteur de charge ou le tube noir du raccord coudé noir se branchent sur le raccord à l'égout
- Raccord du produit filtré : tuyau bleu du robinet au raccord coudé bleu
- Branchez les raccords au manifold

Un raccord typique est montré (Figure 7)

Vue de côté et en coupe du raccord.

REMARQUE : Pour un fonctionnement optimal du système, nous vous conseillons d'utiliser les longueurs de tuyau aussi courtes que possible.

Filter de sortie

Montez le filtre de sortie charbon actif en ligne sur la tuyauterie bleue du produit filtré. Veillez à ce qu'il soit placé dans le sens du flux. Fixez la tuyauterie avec les attaches de verrouillage de collier.

Adaptateur de rejet à l'égout (en option)

L'adaptateur de rejet à l'égout possède une entrée en caoutchouc qui accepte le tuyau d'évacuation noir de 3/8" ou le tuyau rouge de 1/2". Le tuyau noir de 3/8" se branchera ici si le robinet n'utilise pas le disrupteur de charge.

Lorsque le tuyau est en position, utilisez les verrouillages de flexible fournis pour bien assurer la connexion.

REMARQUE : Pour faire glisser un tube dans l'entrée du raccord d'évacuation, mouillez-le. L'eau facilitera le glissement du tube dans l'entrée en caoutchouc.

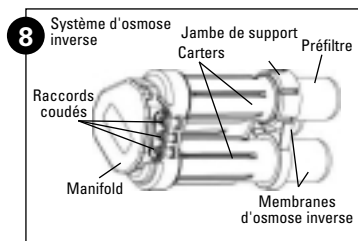
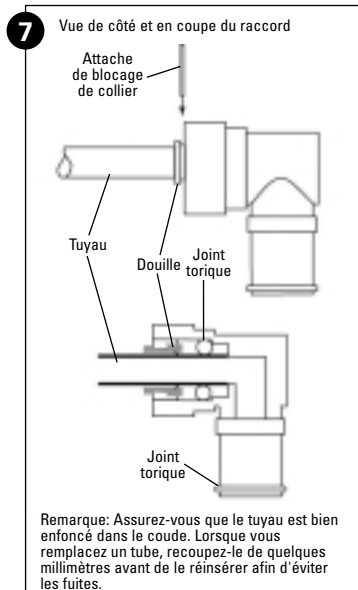
Manomètre

Le manomètre fourni peut être connecté sur la ligne d'arrivée d'eau afin de vérifier la pression de l'eau à l'entrée du système. Pour une performance optimale du système, la pression dynamique en entrée doit être entre 2.76 bar (40 psi) et 5.52 bar (80 psi) lorsque le système fonctionne.

AVERTISSEMENT : Le manomètre ne doit être utilisé que lors de la mise en route et/ou le dépannage du système. Il doit être retiré lors de l'utilisation normale du système ce dernier n'ayant pas été évalué avec le manomètre par certaines agences de certification.

Etape 5 : Installation du module OI

Le système OI comprend les composants suivants : carters (3), jambe de support, préfiltre, membranes OI (2) et filtre de sortie. La tuyauterie est fixée au manifold par les raccords coudés. En choisissant un emplacement pour le système, laissez assez de tuyauterie afin de pouvoir le déplacer pour l'entretien périodique des filtres et des membranes (Figure 8 : Ensemble OI).



3 - INSTALLATION

ATTENTION : N'essayez pas de monter ou accrocher le système. Ne tentez pas de percer un trou sur le système. Si vous placez l'appareil au-dessus du niveau du sol/du meuble, une étagère permanente et robuste est conseillé.

Positions d'installation recommandées

Le module OI devrait être placé selon l'une des deux manières suivantes :

La première position met l'appareil debout avec les carters horizontaux en utilisant la jambe de support. La tuyauterie est disposée pour offrir le meilleur montage.

La deuxième position place le groupe sur son extrémité de telle façon que le manifold soit horizontal et que les carters pointent vers le haut. La tuyauterie est dirigée vers le bas et la barre de verrouillage est en bas pour verrouiller les raccordements de tuyauterie.

Voir Figure 9: Positions systèmes.

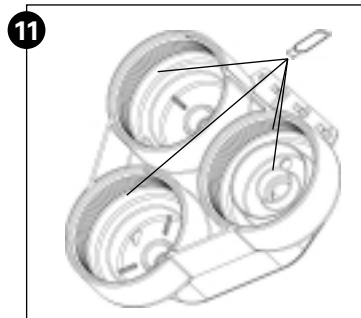
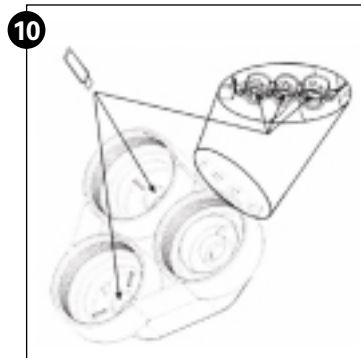
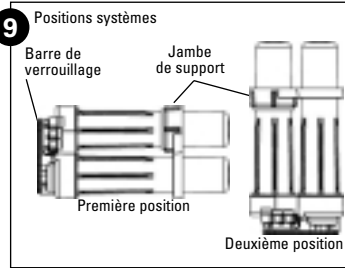
NOTE : Veillez à ce que la jambe de support soit installée sur les carters.

Lubrification des connexions

Les connexions possédant des joints toriques doivent être lubrifiées correctement. Les instructions suivantes détaillent ce procédé.

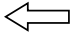


6 tubes de lubrifiant sont fournis. 1 tube devrait être complètement utilisé pour lubrifier les emplacements des 2 membranes et des coudes de connexion sur le manifold (Figure 10). Comme indiqué sur la figure 11, lubrifier ensuite l'intérieur du manifold, à l'endroit où viendront se visser les carters. Utiliser un tube de lubrifiant par emplacement de carter.

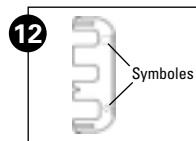
NOTE : Afin de lubrifier correctement la surface en contact avec le joint torique, on applique une couche de silicone propre. La couche devra couvrir toute la surface qui sera en contact avec le joint torique. Ne pas utiliser de graisse contenant du pétrole.



3 - INSTALLATION

Le tableau ci-dessous montre le principe de codification des raccordements. Chaque raccord possède une embase unique « repérée » sur le manifold. Chaque raccord possède également un symbole graphique moulé avec le symbole correspondant sur le manifold.

Symbole raccord	Raccord	Couleur des tubes
	Alimentation-entrée	Naturel
	Concentrat	Noir
	Produit	Bleu



AVERTISSEMENT : Veillez à lubrifier avec du lubrifiant silicone les joints toriques des raccords soudés avant de les insérer dans le manifold.

AVERTISSEMENT : N'ouvrez pas la vanne d'arrivée d'eau tant que la barre de verrouillage n'est pas en place.

Une fois toutes les connexions faites, utilisez la barre de verrouillage pour maintenir les raccords en place. Faites correspondre les symboles de la barre de verrouillage avec les symboles correspondants du manifold (Figure 12).

Etape 6 : Démarrage du système

1. Examinez tous les raccords.
2. Positionnez le manifold horizontal avec les ouvertures vers le haut.
3. Retirez les membranes neuves de l'emballage. Les scotchs jaune et noir qui entourent les membranes font partie intégrante des membranes et ne doivent pas être retirés.

ATTENTION : Les membranes contiennent un conservateur alimentaire. L'utilisation de gants stériles/en latex est recommandée.

NOTE : Afin de lubrifier correctement la surface en contact avec le joint torique, on applique une couche de silicone propre. La couche devra couvrir toute la surface qui sera en contact avec le joint torique. Ne pas utiliser de graisse contenant du pétrole.

5. Insérez fermement le côté mâle avec joint torique des membranes dans le manifold.
6. Retirez le préfiltre de l'emballage. Vérifiez que les joints sont en place.
7. Mettez le préfiltre dans le manifold.
8. Remontez les carters et serrez-les jusqu'en butée.

Test de pression du système

Pour vérifier les fuites, le système doit être rempli d'eau et amené à la pression de fonctionnement.

1. Ouvrez la vanne d'arrivée d'eau froide lentement et jusqu'à la moitié. Laissez couler lentement pendant une minute puis ouvrez complètement.
2. Ouvrez le robinet jusqu'à ce que l'eau s'écoule.
3. Contrôle des fuites.

REMARQUE : Quand le robinet est ouvert la première fois, l'eau peut temporairement être expulsée par le disrupteur de charge jusqu'à ce que l'air soit purgé. Des bruits dus à l'air emprisonné dans le système peuvent se produire pendant 1 à 3 heures.

4. Purgez le système. Ouvrez le robinet et laissez couler l'eau à travers le système OI pendant 2 à 8 heures.

NOTE : Le système doit être rincé pendant au moins 2 heures afin d'éliminer les traces du conservateur alimentaire. Après 8 heures de rinçage la performance du système sera optimale.

Le système OI est maintenant prêt à fonctionner.

4 - ENTRETIEN DU SYSTEME OI

Les composants du système OI sont conçus pour fonctionner avec un entretien minimal. Cependant, les membranes et les filtres devront être remplacés régulièrement. Faites fonctionner le système au moins deux minutes chaque jour pour des performances optimales.

Pour une performance optimale, le système devrait être rincé pendant 2 minutes chaque fois qu'il ne fonctionne pas pendant 6 heures ou plus.

Remplacement du préfiltre et du filtre de sortie

Le préfiltre à charbon/à sédiments élimine les sédiments et certains produits chimiques présents dans l'eau, tels que le chlore. En fonction de la fréquence à laquelle on utilise l'appareil ainsi que de la qualité de l'eau entrée, ce filtre sera remplacé tous les six à douze mois (applications au point d'utilisation).

Si le préfiltre est remplacé, le filtre de sortie doit l'être aussi.

Les applications nécessitant plus de 75 litres d'eau purifiée par jour devraient être équipées d'un filtre externe (non fourni) afin de réduire le chlore et autres impuretés.

Remplacement des membranes OI

La durée de vie des membranes OI variera en fonction de la qualité de l'eau utilisée. L'eau produite devrait être analysée périodiquement pour vérifier que les membranes fonctionnent correctement. Dans la plupart des applications au point d'utilisation, les membranes OI doivent être remplacées tous les deux à quatre ans.

REMARQUE : L'eau adoucie est recommandée pour un fonctionnement optimal du système et une plus longue durée de vie des membranes OI.

5 - REMPLACEMENT DU PREFILTRE, DU FILTRE DE SORTIE ET DES MEMBRANES OI

1. Fermez l'arrivée d'eau du système OI.

2. Réduisez la pression d'eau du système en ouvrant le robinet.

ATTENTION : Même lorsque l'arrivée d'eau est fermée, les carters de la membrane et du préfiltre contiennent toujours une quantité d'eau importante. Placez l'ensemble OI dans un évier ou dans un bac pour recevoir l'eau.

3. Défaites la barre de verrouillage et mettez les raccords (la tuyauterie toujours branchée) dans un bac ou un seau.

4. Placez le système dans une zone confinée, tel un évier ou une baignoire.

5. Retirez la jambe de support des trois carters et dévissez le carter supérieur comme illustré pour accéder à l'élément du préfiltre. La jambe de support fonctionne comme une clé pour dévisser les carters, Figure 13.

REMARQUE :

• Il n'est pas nécessaire de débrancher la tuyauterie des raccords du manifold. Retirez la barre de verrouillage et sortez les raccords. Lubrifiez les joints toriques avec du silicone avant le remontage.

• Si vous changez uniquement le préfiltre et le filtre de sortie, il n'est pas nécessaire de retirer les autres carters. Si vous changez les membranes, le préfiltre et le filtre de sortie doivent aussi être remplacés.

6. Retirez le préfiltre usé et jetez-le.

ATTENTION : La personne qui manipule les filtres et les membranes doit avoir les mains propres pour préserver l'asepsie du système. L'utilisation de gants stériles/en latex est recommandée.

7. Si les membranes doivent être remplacées :

a. Otez les carters des membranes. Retirez et jetez les éléments usagés.

b. Sortez les éléments neufs de l'emballage.

ATTENTION : Les éléments contiennent un conservateur alimentaire. L'utilisation de gants stériles/en latex est fortement recommandée.

c. Lubrifiez les joints toriques présents sur le tube de perméat, les joints à lèvres et les joints toriques de carter avec du silicone. Consultez le chapitre "lubrification des connexions" afin de suivre la procédure de lubrification.

d. Insérez fermement le côté mâle des membranes dans le manifold. Voir la Figure 13.

e. Remplacez les carters et serrez-les jusqu'en butée.

REMARQUE : Le système doit être désinfecté chaque fois que des membranes ou un filtre sont remplacés.

8. Désinfection du système.

a. Le carter doit être à plat avec les raccords de carter vers le haut.

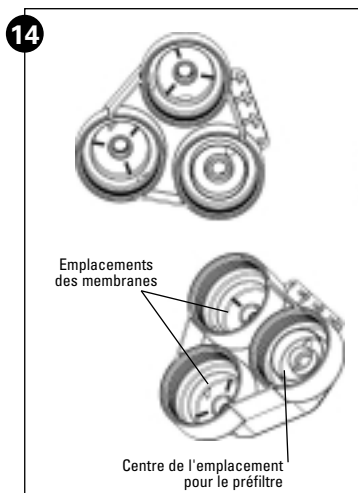
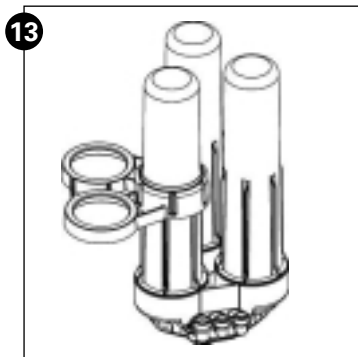
b. Versez une cuillère à soupe (15 millilitres) d'eau de javel dans l'ouverture centrale du raccord du carter du préfiltre. Voir Figure 14.

9. Montez le préfiltre.

a. Sortez le préfiltre neuf de l'emballage. Vérifiez que les joints sont bien en place. Insérez le préfiltre dans l'ouverture appropriée du manifold.

b. Lubrifiez le joint torique de carter avec du silicone.

c. Lorsque le préfiltre est en place, vissez le carter dans le raccord. Serrez-le jusqu'en butée.



5 - REMPLACEMENT DU PREFILTRE, DU FILTRE DE SORTIE ET DES MEMBRANES OI

10. Remplacez le filtre de sortie.

a. Pour sortir les raccords de la tuyauterie, appuyez sur les manchons des collets et tirez la tuyauterie.

b. Jetez le filtre de sortie usagé.

c. Pour éviter les fuites, recoupez le tube à environ 1/4" avant de brancher le nouveau filtre de sortie. Vérifiez que la flèche du sens d'écoulement correspond à l'écoulement de l'eau. Remontez la tuyauterie et les verrouillages des collets.

11. Remontez les raccords sur le manifold et verrouillez en place avec la barre de verrouillage.

12. Remplacez le module et ouvrez l'arrivée d'eau. Vérifiez que le système ne fuit pas.

ATTENTION : Quand le robinet est ouvert, l'eau peut temporairement être expulsée par le disrupteur de charge jusqu'à ce que l'air emprisonné soit purgé.

13. Ouvrez le robinet et laissez couler l'eau pendant deux minutes.

REMARQUE : Des résidus de charbon actif présents dans le filtre en ligne peuvent être présents jusqu'à ce qu'il soit parfaitement rincé.

14. Fermez le robinet et laissez le système reposer pendant 20 à 30 minutes.

15. Ouvrez le robinet et laissez couler l'eau pendant 5 minutes.

16. Vérifiez que le système ne présente aucune fuite.

NOTE : Si vous avez effectué le remplacement de 2 membranes, le système doit être rincé selon l'étape 6 "Démarrage du système".

Le système OI est maintenant prêt à fonctionner.

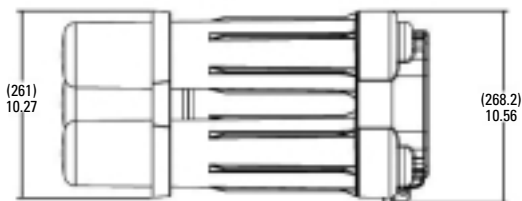
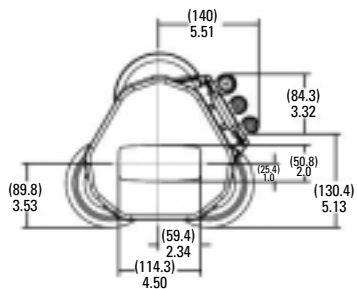
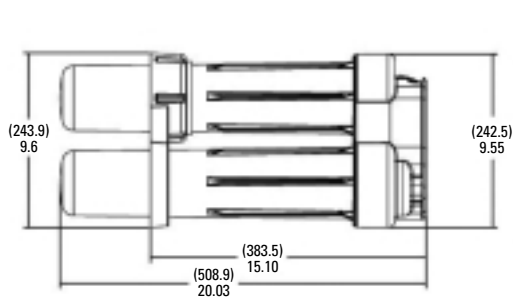
6 - SPECIFICATIONS

Performances

Conditions d'exploitation minimales et maximales

Condition	Minimum	Maximum
Pression à l'entrée	2.76 bar (40 psi)	5.52 bar (80 psi)
Température	4.44°C (40°F)	37.78°C (100°F)
TDS à l'entrée	50 mg/L	2,000 mg/L
Dureté à l'entrée	0 mg/L (0 grain)	171 mg/L (10 grain)
Chlore à l'entrée	0 mg/L	1.0 mg/L
Fer à l'entrée	0 mg/L	0.1 mg/L
Manganèse à l'entrée	0 mg/L	0.05 mg/L
pH à l'entrée	4	10
Turbidité à l'arrivée	0	1 NTU

Dimensions



7 - GUIDE DE DÉPANNAGE

Problème	Cause possible	Action Corrective
Faible débit de perméat	Faible pression en entrée	Augmentez la pression en entrée. Envisagez une pompe. Utilisez des tuyaux plus courts. Augmentez le diamètre des tuyaux pour les distances plus longues.
	Faible température en entrée ou TDS trop élevés	Augmentez la température ou la pression de l'eau en entrée pour compenser.
	Préfiltre encrassé	Remplacez le préfiltre encrassé. Envisagez un préfiltre sédiment pour les applications non chlorées.
	Membranes entartrées ou encrassées	Remplacez les membranes.
	Robinet mal ajusté	Ajustez le robinet de manière à ce qu'il n'y ait aucune fuite.
	Postfiltre encrassé	Remplacez le postfiltre.
	Fuite ou pli dans le tuyau de perméat	Trouvez et réparez la fuite ou le pli.
Le concentrat s'écoule l'égout après la fermeture du robinet	Préfiltre encrassé	Remplacez le préfiltre encrassé. Envisagez un préfiltre sédiment pour les applications non chlorées.
	Fuite dans la ligne de perméat	Trouvez et réparez la fuite. Installez un manomètre sur la ligne de perméat afin d'identifier ou non une fuite de pression.
Faible réjection	Analyse effectuée durant le rinçage du système	Prélevez un autre échantillon 3 minutes après un écoulement continu.
	Faible pression en entrée	Augmentez la pression en entrée. Envisagez une pompe. Utilisez des longueurs de tuyau plus courtes, augmentez le diamètre des tuyaux pour les distances plus longues.
	Préfiltre encrassé	Remplacez le préfiltre encrassé. Envisagez un préfiltre sédiment pour les applications non chlorées.
	Membranes entartrées, encrassées ou endommagées	Remplacez les membranes.

INHALTSVERZEICHNIS

1	SICHERHEITSHINWEISE	P. 37
2	DIE UMKEHROSMOSEANLAGE - GRUNDLAGEN	P. 38
3	INSTALLATION	P. 44
4	PFLEGE DER UO-ANLAGE	P. 48
5	AUSTAUSCH VON VORFILTER, NACHFILTER UND MEMBRANELEMENTEN	P. 49
6	ANGABEN	P. 51
7	FEHLERBEHEBUNG	P. 52
8	EINBAU-ANLEITUNG FÜR DRAIN-BOA-BAUSATZ™, MODELL DC 9700	P. 87

1 - SICHERHEITSHINWEISE

Bitte lesen Sie vor Installation Ihrer Umkehrosmoseanlage alle Sicherheitshinweise sorgfältig durch und befolgen Sie diese.

Diese Anlage dient nicht zur Herstellung von Trinkwasser aus nicht zum Trinken geeignetem Wasser. Betreiben Sie die Anlage nicht mit bakteriell belastetem Wasser oder mit Wasser unbekannter Qualität, ohne Entkeimung vor oder nach der Anlage.

Diese Umkehrosmoseanlage enthält austauschbare Bauteile (Membranelemente). Diese Bauteile sind für die erfolgreiche Verringerung der gelösten Stoffe (TDS) und der im Anhang aufgeführten speziellen Verschmutzungen unerlässlich.

Die Wasserqualität der Umkehrosmose-Wasserfilteranlage wird nicht automatisch überwacht. Daher sollte das erzeugte Wasser sicherheitshalber alle 6 Monate vom Installateur bzw. Labor getestet werden. Das Labor sollte für die Prüfung der spezifischen Verunreinigungen zertifiziert sein. Bitte kontaktieren Sie die örtlichen Regulierungsbehörden für eine Liste der zertifizierten Labors.

Erkundigen Sie sich bei den Stadtwerken oder der zuständigen Behörde über die Installations- und Hygienevorschriften und halten Sie die örtlichen Vorschriften ein, auch wenn diese vom vorliegenden Handbuch abweichen.

Die Umkehrosmoseanlage arbeitet bei einem Wasserdruck zwischen minimum 2.8 bar (40 psi) und maximum 5.5 bar (80 psi). Der Wasserdruck kann durch Einbau eines Druckreduzierventils in die Eingangswasserleitung der UO-Anlage gesenkt werden. Bei Niederdruck ist eine Druckerhöhungspumpe erforderlich.

Die Umkehrosmoseanlage keinen extremen Temperaturen aussetzen. Die Eingangswassertemperatur muss zwischen 4°C (40°F) und 38°C (100°F) liegen. Nicht an die Heißwasserleitung anschließen.

Die Umkehrosmosemembranen enthalten ein für Lebensmittel zugelassenes Konservierungsmittel für Lagerung und Versand. Neue Membranen sollten vor Gebrauch 2 Stunden lang durchgespült werden, um das Konservierungsmittel auszuspülen. Das Konservierungsmittel ist unschädlich, kann jedoch zu Geschmacksbeeinträchtigung beim Wasser führen.

Spülung der Membran fungiert auch als eine Leistungskonditionierung. Alle neue Membranen werden ihre stabile maximale Leistung nach einer Spülung von 8 Stunden erreichen.

2 - DIE UMKEHROSMOSEANLAGE - GRUNDLAGEN

Ihre Umkehrosmoseanlage (UO-Anlage) ist eine Wasseraufbereitungsanlage. Sie nutzt Wasserdruck zur Umkehr eines natürlichen, physikalischen Vorgangs namens Osmose. Wasser wird unter Druck durch eine nur in einer Richtung durchlässige (semipermeable) Membran geleitet, wodurch Mineralien und Verunreinigungen herausgefiltert werden. Sauberes Trinkwasser gelangt so zu Ihrem Trinkwasserhahn, während Mineralien und Verunreinigungen mit dem UO-Abwasser (Konzentrat) in die Kanalisation geleitet werden.

Die Anlage enthält austauschbare Filter und Membranelemente. Der Vorfilter filtert Sand, Schlamm, Schmutz, Rostpartikel und andere Sedimente sowie Chlor aus dem Zulaufwasser, bevor dieses die UO-Membranelemente durchströmt. Der Nachfilter entfernt Geschmacks- und Geruchsbeeinträchtigungen aus dem aus den Membranelementen kommenden Wasser.

Vor installation der UO-Anlage

- Die Anlage liefert die beste Qualität, und die höchste Ausbeute wenn das Eingangswasser enthärtet wurde.
- Das Eingangswasser der UO-Anlage muss frei von Schwebestoffen und Sedimenten sein und den vorgeschriebenen Mindestdruck aufweisen. Sie können dies anhand der technischen Daten ermitteln.
- Mit einer Wasseranalyse kann festgestellt werden, ob das Eingangswasser vorbehandelt werden muss. Wenden Sie sich hierfür an Ihren Händler/Installateur.
- Die Filter und Membranelemente der UO-Anlage müssen regelmäßig erneuert werden. Die korrekte Vorgehensweise ist in diesem Handbuch beschrieben.

HINWEIS: Die Anlage liefert die beste Qualität, wenn pro Tag mindestens 2 Minuten ohne Unterbrechung Wasser gezapft wird.

ACHTUNG: Die UO-Anlage funktioniert ohne Vorratsbehälter. KEINEN Drückbehälter an die Permeatleitung anschließen, dies könnte die Anlage beschädigen.

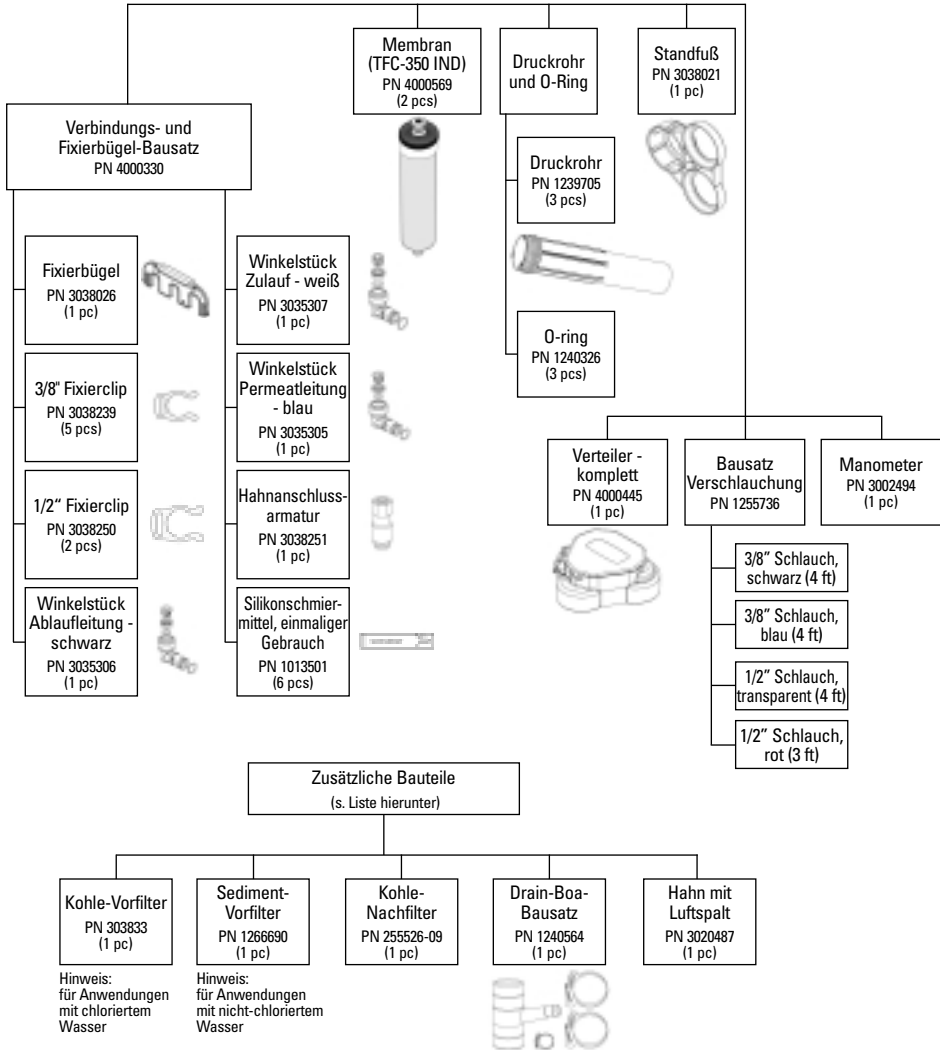
Werkzeuge und Materialien

- Verstellbarer Schraubenschlüssel und größere, einstellbare Beißzange oder Rohrzanke für den Waschbeckenablauf
- Säge zum Ablängen des Abflussrohrs
- Schlitz- und Kreuzschlitzschraubendreher
- Rohrschneider
- Bohrmaschine und Bohreinsätze für das Zapfhahn-Einbauloch

ACHTUNG: Bei manchen Waschbecken ist eine Öffnung für den Hahn vorgebohrt und mit einem Stopfen versehen.

2 - DIE UMKEHROSMOSEANLAGE - GRUNDLAGEN

Einige Konfigurationen umfassen
möglicherweise nicht alle hierunter
aufgeführten Komponenten



D
E
U
T
S
C
H

Abbildung 1

2 - DIE UMKEHROSMOSEANLAGE - GRUNDLAGEN

Anlagestandort

Die Umkehrosmoseanlage ist zum Einbau unter dem Spül- oder Waschbecken gedacht. Die Einbaulage im Unterschrank ist frei wählbar, solange kein Druck auf die Winkelanschlüsse ausgeübt wird. Der Auslasshahn für das von der UO-Anlage produzierte Permeat wird am Wasch- bzw. Spülbecken oder auf der Arbeitsfläche daneben installiert.

Die UO-Anlage kann in gewissem Abstand zum Hahn eingebaut werden. In diesem Fall werden eine Wasserquelle und ein Ablauf in der Nähe benötigt.

HINWEIS:

- Die Leitungen sollten so kurz wie möglich sein, da lange Rohre/Schläuche die Leistung der Anlage verringern. Sie können eine Druckerhöhungspumpe an die Eingangsleitung anschließen.
- Bei allen Installationsarbeiten müssen die nationalen und örtlichen Installationsvorschriften eingehalten werden. Möglicherweise darf die Installation nur von einem Fachmann durchgeführt werden. Bitte erkundigen Sie sich bei den zuständigen örtlichen Behörden.

ACHTUNG: Alle Bauteile und Leitungen müssen vor Frost geschützt und nicht direkter Sonneneinstrahlung ausgesetzt werden.

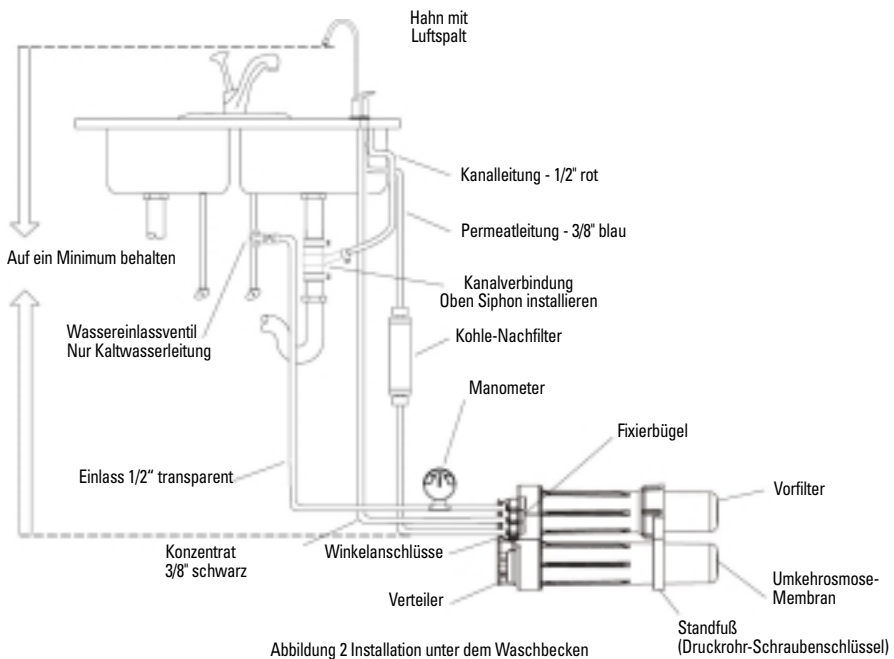
Wasserzulauf: Das Zulaufwasser gelangt über eine Zulaufarmatur in den Einlass der UO-Anlage. Ansonsten installieren Sie die Rohrarmaturen nach Bedarf. Das Wassereinlassventil sollte sich so nahe wie möglich am Verteiler befinden. NUR AN TRINKWASSERLEITUNGEN MIT KALTEM WASSER ANSCHLIESSEN. Die Verwendung von Weichwasser (enthärtetem Wasser) schont das UO-Membranelement.

Auslass: Für das Abwasser (Konzentrat) der UO-Anlage wird eine geeignete Entleerungsmöglichkeit, z.B. Bodenablauf, Waschbecken, Standrohr oder Abwasser Ableitung (Sumpf) benötigt. Erfolgt der Ablauf in ein Arbeitswaschbecken oder ein Standrohr, muss der verwendete Luftspalt mindestens 1/2" Abstand von der Behälteroberkante haben. Zum Herstellen eines optionalen Ablaufs (wenn zulässig) ist ein Siphon beigelegt. Die Ablaufleitung der Anlage NICHT an den Ablauf der Geschirrspülmaschine oder neben dem Speiseabfallsorger anschließen, da ein Rückstau aus diesen Geräten zum Überlaufen des Luftspalts führen kann.

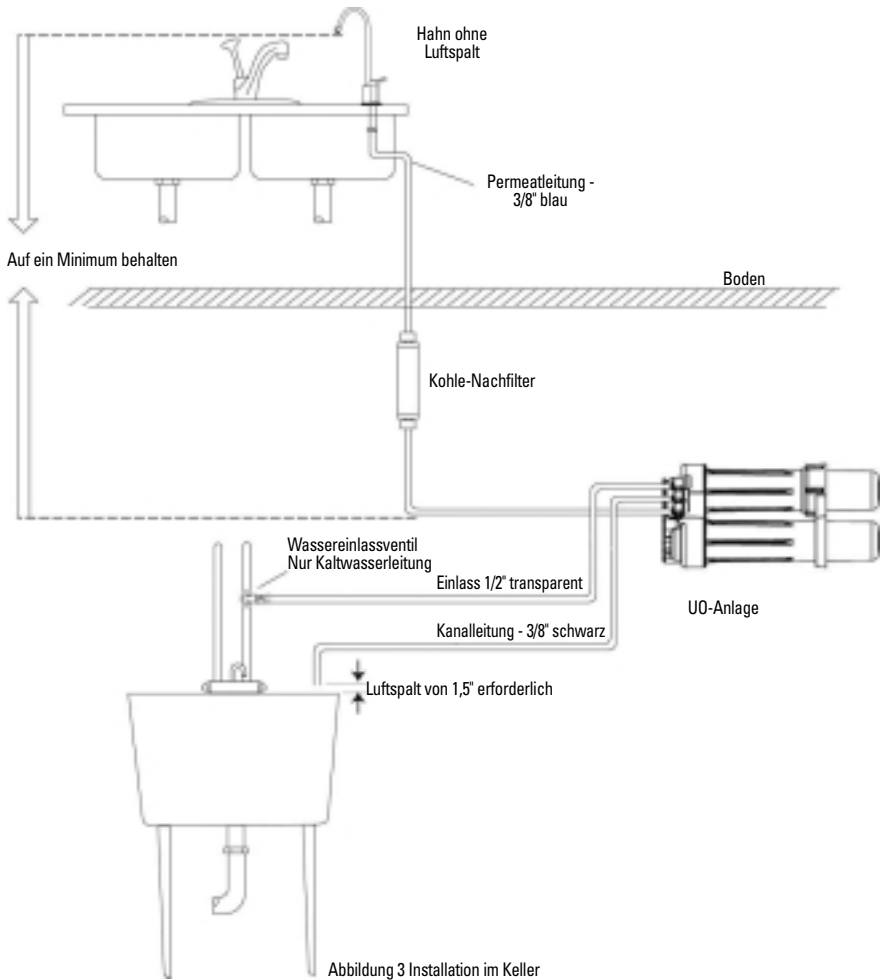
Zapfhahn: Der Hahn sollte neben dem Becken, an dem normalerweise Trinkwasser gezapft wird, angebracht werden. Achten Sie bei der Installation auf bequemen Zugriff (Füllen von Krügen und Gläsern) und auf Platz neben dem Hahn unter dem Becken zum Anbringen der Permeat- und Ablaufleitungen. Ober- und unterhalb des Einbauorts wird ein Freiraum in Höhe von 5 cm (2") benötigt. Die Installationsfläche sollte nicht dicker als 3,2 cm (1 1/4") sein. Achten Sie darauf, dass sich kein Verstärkungsgewebe an der Beckenunterseite befindet.

RO-Verteiler: Der Verteiler kann auf der linken oder rechten Seite unter dem Waschbecken oder im Waschbeckenunterschrank aufgestellt werden. Der Aufbau im Keller ist ebenfalls denkbar. Ein möglicher Standort ist neben dem Wäsche/Arbeitswaschbecken, weil dort kaltes Trinkwasser und ein Ablauf zur Verfügung stehen. Der gewählte Installationsort muss frei zugänglich sein und den Austausch der Membranelemente ermöglichen. Wenn unter dem Waschbecken wenig Raum zur Verfügung steht, kann es empfehlenswert sein, den Hahn zuerst zu installieren. Denken Sie beim Festlegen der Leitungslängen an die Endposition der Anlage.

2 - DIE UMKEHROSMOSEANLAGE - GRUNDLAGEN



2 - DIE UMKEHROSMOSEANLAGE - GRUNDLAGEN



D
E
U
T
S
C
H

2 - DIE UMKEHROSMOSEANLAGE - GRUNDLAGEN

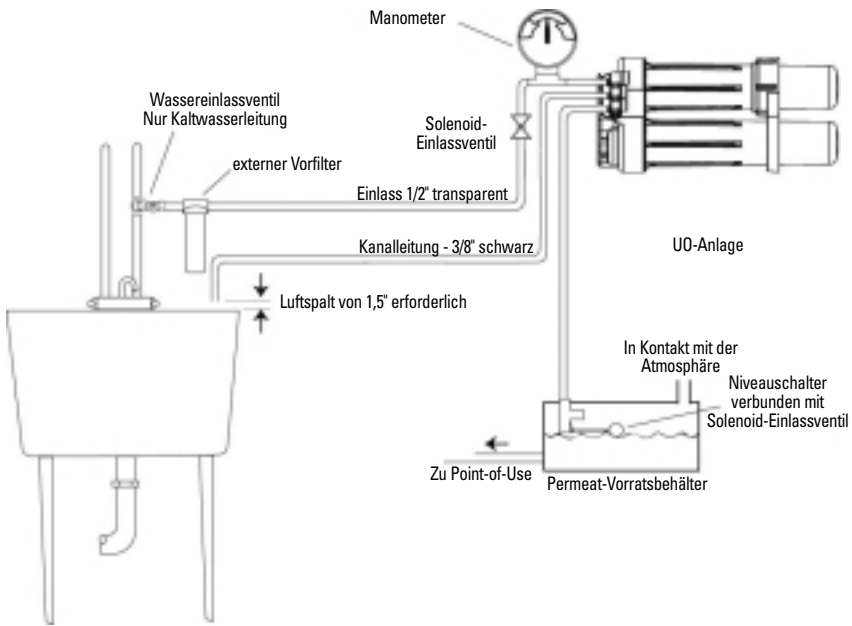


Abbildung 4 Leicht-kommerzielle Installation

3 - INSTALLATION

SCHRITT 1: Kaltwasserzulaufventil einbauen

SCHRITT 2: Abflussadapter einbauen

SCHRITT 3: Hahn einbauen

SCHRITT 4: Leitungen anschließen

SCHRITT 5: UO-Baugruppe zusammenbauen

SCHRITT 6: Anlage in Betrieb nehmen

HINWEIS: Wenn Sie mit Installationsarbeiten nicht vertraut sind, wenden Sie sich bitte an einen Fachmann.

Schritt 1: Kaltwasserzulaufventil einbauen

Beachten Sie die örtlichen Installationsvorschriften. Hier sehen Sie einen Standardanschluss mit Wassereinflussventil.

Wasserzulaufventil

HINWEIS: Schließen Sie den Haupthahn und öffnen Sie einen möglichst weit unten gelegenen Hahn zum Entleeren der Leitung.

Kaltwasserleitungen können sehr unterschiedlich sein. Der Installateur weiß, welches Ventil Sie benötigen. Montieren Sie ein Ventil an die Kaltwasserzulaufleitung, das für einen 1/2"-Rohranschluss (ad) geeignet ist. Bei Schraubverbindungen Außengewindeflächen mit Dichtungsmittel oder Teflonband versehen. Ventil abschrauben.

Schritt 2: Abflussadapter einbauen

Drain-boa™ entsprechend den Anweisungen im Anhang installieren. Der Ablaufanschluss passt an ein 1 1/2 (3,8 cm) Abflussrohr. Der Adapter wird direkt an die Waschbeckenmuffe montiert.

Schritt 3: Hahn einbauen

A. Installationsöffnung vorbereiten

1. Wählen Sie die Montagestelle für den Zapfhahn und prüfen Sie, ob er eben auf dem Waschbecken oder der Arbeitsfläche befestigt werden kann und ob unterhalb genügend Platz für die Verrohrung besteht.

2. Wenn eine Bohrung erforderlich ist, bohren Sie ein Loch von 1 1/2 Durchmesser.

ACHTUNG: Wenden Sie sich zum richtigen Bohren in Keramik oder Edelstahl an einen Klempner oder Installateur, sonst könnte das Waschbecken Schäden davon tragen.

B. Hahn zusammenbauen

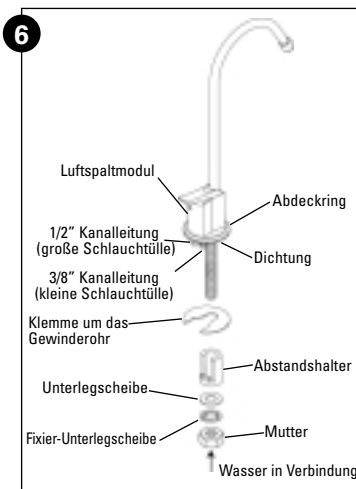
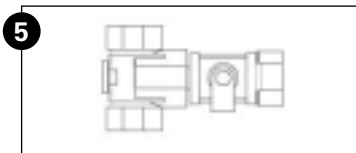
Vor dem Anbringen des Hahns werden Leitungen und Klemmen an diesem befestigt.

1. Blendring über die Leitungsanschlüsse nach oben bis an den Hahn ziehen.

2. Dichttring über die Leitungsanschlüsse nach oben bis an den Hahn ziehen.

3. Abstandshalter, Unterlegscheibe und Mutter in dieser Reihenfolge über das Gewinderohr ziehen.

4. Gewinde-Schlauchanschluss an das Gewinderohr schrauben.



3 - INSTALLATION

5. Blaue 3/8" Permeatleitung fest in das Anschlussstück drücken.
6. Die schwarze 3/8" Leitung über die kleine Schlauchtülle schieben. Die rote 1/2" Leitung wird über die große Schlauchtülle geschoben.
7. Bringen Sie den Hahn in die richtige Position.
8. Die Klemme um das Gewinderohr unter dem Waschbecken und über den Abstandshalter legen. Diese Klemme sollte die Leitungen, die am Luftspalt angeschlossen sind, anziehen.
9. Mutter gegen die Klemme schrauben, um den Hahn in seiner Position zu fixieren.

Schritt 4: Leitungen anschließen

Wenn alle Anschlüsse am Hahn fertig gestellt sind, fehlen noch folgende Anschlüsse:

- Zulaufanschluss – transparente Leitung vom Zulaufventil zum weißen Winkelanschluss
- Ablaufanschluss – rote Leitung vom Luftspalt oder schwarze Leitung vom grauen Winkelanschluss zum Ablaufadapter
- Permeatanschluss – blaue Leitung vom Hahn zum blauen Winkelanschluss
- Verbindungsstücke am Verteiler befestigen

Eine typische Verbindung sehen Sie in Abbildung 7: Seitenansicht und Querschnitt der Verbindungen.

HINWEIS: Die Anlage liefert die beste Leistung, wenn die Leitungen so kurz wie möglich gehalten werden.

Nachfilter

Den Nachfilter in die blaue Permeatleitung einbauen und diese mit Klemmen befestigen. Achten Sie darauf, dass der Fließrichtungspfeil stimmt.

Abflussanschluss (fakultativ)

Der Abflussanschluss verfügt über einen Gummi-Einlass wahlweise für die schwarze 3/8" Leitung oder die rote 1/2" Leitung. Die schwarze 3/8" Leitung wird hier angeschlossen, wenn das Luftspaltmodul für den Hahn nicht verwendet wird. Wenn sich die Leitung in der richtigen Lage befindet, muss die Verbindung mit den Schellen fixiert werden.

HINWEIS: Leitung vor dem Einführen in den Ablaufadapter befeuchten. Das Wasser lässt die Leitung leichter in den Gummi-Einlass gleiten.

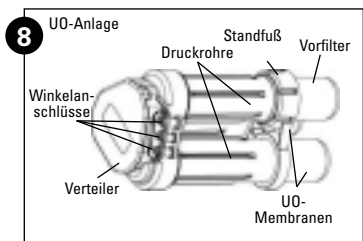
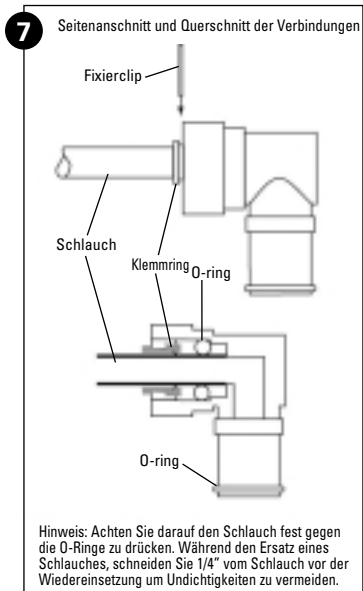
Manometer

Der gelieferte Manometer kann mit der Zulaufleitung verbunden werden um den Zulaufdruck des Systems zu beobachten. Für passende Systemleistung muss der dynamische Zulaufdruck zwischen 2.76 Bar (40 psi) und 5.52 Bar (80 psi) belaufen wenn das System betriebsbereit ist.

VORSICHT: Der Manometer sollte nur während der Installation und Fehlerbehebung des UO-Systems verwendet werden. Während der normalen Nutzung des Systems sollte er entfernt werden, da einige Regierungsbehörden keine Bewertung der UO-Systems mit dem Manometer vorhanden haben.

Schritt 5: UO-Baugruppe zusammenbauen

Die UO-Anlage besteht aus folgenden Bauteilen: Rümpfe (3), Standfuß, Vorfilter, UO-Membranelemente (2) und Nachfilter. Die Leitungen werden mit den Winkelstücken am Verteiler angeschlossen. Bei der Wahl des Anlagenstandorts sollten ausreichend lange Leitungen verwendet werden, so dass die Anlage bei der regelmäßigen Wartung von Filtern und Membranelementen bewegt werden kann. (Abbildung 8: UO-Anlage).



3 - INSTALLATION

ACHTUNG: Die Anlage nicht montieren/aufhängen. Keine Montagelöcher in die Anlage bohren. Wenn die Anlage erhöht stehen soll, ist ein solides, fest montiertes Regalbrett erforderlich.

Empfohlene Einbaulagen

Die Anlage sollte in einer der beiden Lagen eingebaut werden. In Lage 1 steht die Anlage auf ihren Standfüßen, die Rumpfe verlaufen waagrecht. Leitungen so verlegen, dass sie optimal angeschlossen werden können.

In Lage 2 wird die Anlage waagrecht auf die Gehäuseseite gelegt, wobei die Druckrohre nach oben zeigen. Die Leitungen müssen nach oben verlaufen. Der Fixierbügel wird nach unten gedrückt und hält die Schlauchverbindungen.

Siehe Abbildung 9: Lage der Systemen.

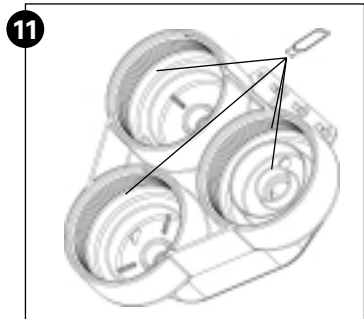
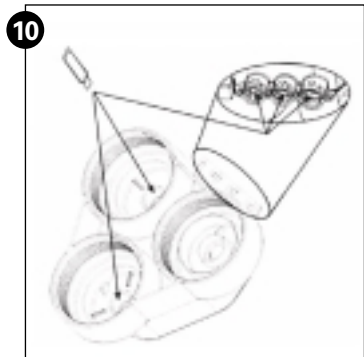
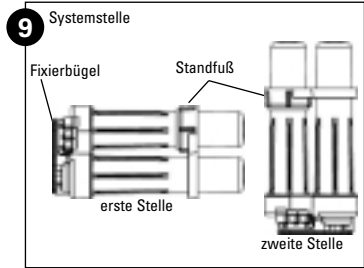
HINWEIS: Bitte beachten Sie dass der Standfuß auf den Rumpf installiert ist.

Verbindungsschmierung

Die Verbindungen mit den O-Ringen müssen erheblich geschmiert werden. Die nachfolgende Anweisungen beschreiben die Art und Stelle zum Schmieren.

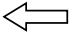

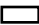
6 Pakete mit Silikon schmierung sind mitgeliefert. Ein Paket sollte vollständig verwendet werden um die Kontaktflächen der O-Ringen in den 3 Verteileranschlüssen und den 2 UO-Membranstellen zu schmieren (Abbildung 10). Folgen Sie Abbildung 11 und schmieren Sie die Innenseite der 3 Verteiler wo die Rumpfe verschraubt werden. Gebrauchen Sie ein komplettes Silikonpaket per Rumpfstandort.

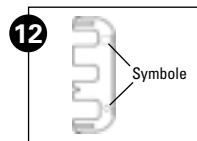
HINWEIS: Um die O-Ring-Kontaktfläche korrekt zu schmieren, muss ein Film von sauberem Silikonfett angewendet werden. Der Film sollte alle Fläche umfassen, die mit dem O-Ring in Kontakt kommen. Nutzen Sie keine fetthaltige Erdölprodukte.



3 - INSTALLATION

In der folgenden Tabelle sind die Anschlusssymbole aufgeführt. Jede Armatur hat einen eigenen, « codierten » Anschluss am Verteiler. Auch auf den Armaturen ist das entsprechende Symbol in den Anschlusswinkel eingegossen.

Anschlusssymbol	Anschluss	Leitungsfarbe
	Zulauf/Einlass	Transparent
	Konzentrat	Schwarz
	Permeat	Blau



ACHTUNG: Die O-Ringe an den Verbindungsstücken müssen vor dem Einschleiben in den Verteiler mit Glycerinöl geschmiert werden.

ACHTUNG: Wassereinflussventil erst öffnen, wenn der Fixierbügel montiert ist. Sind alle Anschlüsse fertig, müssen die Armaturen mit Fixierbügel gesichert werden. Achten Sie darauf, dass die Symbole auf dem Bügel mit den Symbolen am Verteiler übereinstimmen. (Abbildung 12).

Schritt 6: Inbetriebnahme

1. Alle Verbindungen prüfen.
 2. Legen Sie den Verteiler waagrecht hin, so dass die Öffnungen nach oben zeigen.
 3. Packen Sie die neuen Membranelemente aus. Die schwarze und gelbe Bänder um die Membran sind ein wichtiger Teil des Membran-Elementes und sollten nicht entfernt werden.
- VORSICHT:** Die Membranelemente enthalten ein für Lebensmittel zulässiges Konservierungsmittel. Sterile Handschuhe oder Latexhandschuhe verwenden.
4. Schmier Sie alle Kontaktflächen des O-Rings im Verteileranschluss die im Kontakt sind mit dem Rumpf und die O-Ringe der Elemente mit Silikonfett ein. Siehe Kapitel "Verbindungsschmierung" für eine korrekte Schmierung.
- HINWEIS:** Um die O-Ring-Kontaktfläche korrekt zu schmieren, muss ein Film von sauberem Silikonfett angewendet werden. Der Film sollte alle Fläche umfassen, die mit dem O-Ring in Kontakt kommen. Nutzen Sie keine fetthaltige Erdölprodukte.
5. Setzen Sie das O-Ring-Ende des Membranelements exakt in den Verteiler.
 6. Packen Sie den Vorfilter aus und prüfen Sie den Sitz der Dichtringe.
 7. Setzen Sie den Vorfilter in den Verteiler ein.
 8. Druckrohre wieder einsetzen und von Hand festdrehen.

Drucktest

Anlage mit Wasser füllen und Betriebsdruck herstellen, um nach Leckagen zu suchen.

1. Kaltwasserzulaufventil langsam zur Hälfte öffnen, nach 1 Minute vollständig öffnen.
2. Hahn öffnen, bis Wasser fließt.
3. Nach Leckagen suchen.

HINWEIS: Beim erstmaligen Öffnen des Hahns kann kurzzeitig Wasser aus dem Luftspalt spritzen, bis die Leitung entlüftet ist. In den ersten 1 bis 3 Stunden kann eingeschlossenes Luft noch Geräusche im System verursachen.

4. System entlüften und die UO-Anlage eine Stunde lang mit Wasser durchspülen.

HINWEIS: Eine Spülung von minimum 2 Stunden entfernt das lebensmittelechte Konservierungsmittel aus den Membranelementen. Nach einer achtstündiger Leistung, wird die maximale, stabile Leistung erreicht sein.

Die UO-Anlage ist nun betriebsbereit.

D
E
U
T
S
C
H

4 - PFLEGE DER UO-ANLAGE

Die Bauteile der UO-Anlage sind sehr wartungsarm. Die Membranelemente und Filter müssen jedoch regelmäßig ausgetauscht werden. Anlage mindestens zwei Minuten pro Tag laufen lassen, damit sie optimal funktioniert.

Für eine optimale Leistung sollte das System für 2 Minuten gespült werden, wenn das System länger als 6 Stunden inaktiv ist.

Austausch von Vor- und Nachfilter

Der Kohle-/Sedimentvorfilter entfernt Sedimente und bestimmte chemische Bestandteile wie Chlor aus dem Wasser. Je nach Wasserverbrauch und Verschmutzungsgrad sollte der Filter alle 6 bis 12 Monate erneuert werden für Point-of-Use Verwendungen. Wenn der Vorfilter ausgetauscht wird, sollte auch der Nachfilter ersetzt werden.

Anlagen mit einem Verbrauch von mehr als 75,7 Liter (20 Gal.) Produktwasser pro Tag sollten externe Filter installieren (nicht mitgeliefert) um Chlor und Sediment größer als 10 Mikron zu reduzieren.

Austausch der UO-Membranelemente

Die Lebensdauer der UO-Elemente hängt von der Qualität des Einspeisewassers ab. Das Permeat muss regelmäßig getestet werden, um die ordnungsgemäße Funktion der Membranelemente zu prüfen. Bei den meisten Point-of-Use Verwendungen muss die UO-Membran alle 2 bis 4 Jahre ersetzt werden.

HINWEIS: Weichwasser (enthärtetes Wasser) liefert die beste Anlagenleistung und schont die UO-Membran.

5 - AUSTAUSCH VON VORFILTER, NACHFILTER UND MEMBRANELEMENTEN

1. Wasserzulaufventil zur UO-Anlage schließen.

2. Systemwasserdruck durch Öffnen des Hahns senken.

VORSICHT: Selbst bei geschlossenem Einlassventil enthalten die Druckrohre eine beträchtliche Menge Wasser. Das Wasser kann aufgefangen werden, wenn Sie die UO-Anlage beim Wechsel der Kartuschen in ein Spülbecken oder eine Wanne stellen.

3. Fixierbügel entfernen und Armaturen (mitsamt den angeschlossenen Leitungen) in eine Wanne oder einen Eimer stellen.

4. Anlage in einen geschlossenen Behälter, z.B. in ein Waschbecken oder eine Wanne stellen.

5. Standfuß von den drei Druckrohren abziehen und das obere Druckrohr mit Hilfe des Standfußes herauserschrauben, um an das Vorfilterelement zu gelangen, Abbildung 13.

HINWEIS:

- Die Leitungen müssen nicht von den Verteilerarmaturen getrennt werden. Fixierbügel entfernen und Armaturen herausziehen. O-Ringe vor dem erneuten Zusammenbau schmieren.

- Werden nur Vor- und Nachfilter ausgetauscht, müssen die übrigen Druckrohre nicht entfernt werden. Wenn die Membranelemente ausgetauscht werden, ist ein gleichzeitiger Wechsel von Vor- und Nachfilter empfehlenswert.

6. Erschöpften Vorfilter ausbauen und entsorgen.

VORSICHT: Die Membranelemente enthalten ein für Lebensmittel zugelassenes Konservierungsmittel. Sterile Handschuhe oder Latexhandschuhe verwenden.

7. Austausch der Membranelemente:

a. Membrane herauserschrauben. Verbrauchte Elemente ausbauen und entsorgen.

b. Neue Elemente auspacken.

VORSICHT: Die Membranelemente enthalten ein für Lebensmittel zugelassenes Konservierungsmittel. Sterile Handschuhe oder Latexhandschuhe verwenden.

c. Streichen Sie die O-Ringe der Elemente, die Konzentratdichtungen und die O-Ringe des Druckrohrs mit Silikonschmiermittel ein. Siehe Kapitel "Verbindungsschmierung" für eine korrekte Schmierung.

d. O-Ring-Ende der Elemente exakt in den Verteiler einsetzen. Vgl. Abbildung 13.

e. Druckrohr wieder einsetzen und von Hand festschrauben.

HINWEIS: Die Anlage beim Austausch eines Membran- oder Filterelements desinfizieren.

8. System desinfizieren.

a. Verteiler flach auf die Seite legen, wobei die Druckrohranschlüsse nach oben zeigen.

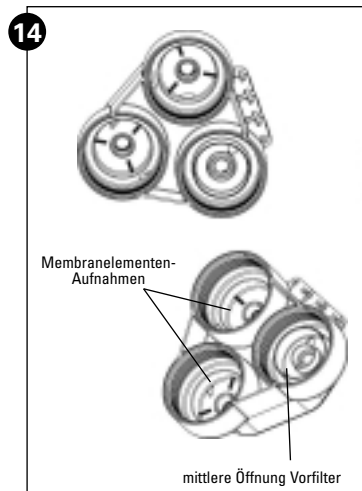
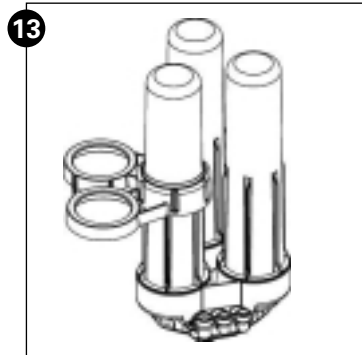
b. Ein Esslöffel (15 ml) Chlorbleiche in die mittlere Öffnung des Vorfilteranschlusses geben. Vgl. Abbildung 14.

9. Vorfilter einbauen.

a. Neuen Vorfilter auspacken. Sitz der Dichtringe prüfen. Vorfilter in die richtige Öffnung des Verteilers einsetzen.

b. O-Ring des Druckrohrs mit Silikonschmiermittel einstreichen.

c. Druckrohr mit eingelegetem Element einschrauben. Von Hand eindrehen bis zum Anschlag.



5 - AUSTAUSCH VON VORFILTER, NACHFILTER UND MEMBRANELEMENTEN

10. Nachfilter austauschen.

a. Zum Trennen von Armaturen und Leitungen drücken Sie die Zangenhülse hinunter und ziehen Sie die Leitung heraus.

b. Verbrauchten Filter entsorgen.

c. Zur Vorbeugung von Leckagen sollten Sie die Leitung um etwa 1/4" zurückschneiden, bevor Sie den neuen Nachfilter anschließen. Achten Sie darauf, dass der Fließrichtungspfeil stimmt. Leitung wieder anschließen und fixieren.

11. Armaturen wieder an den Verteiler anschließen und mit dem Fixierbügel in Position halten.

12. Anlage wieder aufstellen und Wasserzulauf öffnen. System auf Leckagen prüfen.

VORSICHT: Beim Öffnen des Hahns kann Wasser aus dem Luftspalt spritzen, bis die Leitung entlüftet ist.

13. Hahn öffnen und Wasser 2 Minuten lang laufen lassen.

HINWEIS: Bis das Nachfilterelement durchgespült ist, können Kohle-Feinpartikel austreten.

14. Chlor 20 bis 30 Minuten bei geschlossenem Hahn in der Anlage wirken lassen.

15. Hahn öffnen und Wasser 5 Minuten lang laufen lassen, bis der Chlorgeruch verfliegen ist.

16. System auf Leckagen untersuchen.

HINWEIS: Wenn die UO-Membranelemente ersetzt wurden, muss die Anlage laut Schritt 6 (wie oben beschrieben) durchgespült werden.

Die UO-Anlage ist nun betriebsbereit.

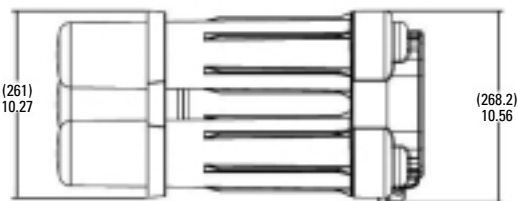
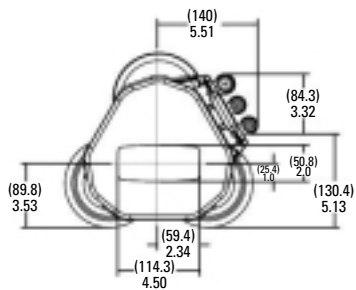
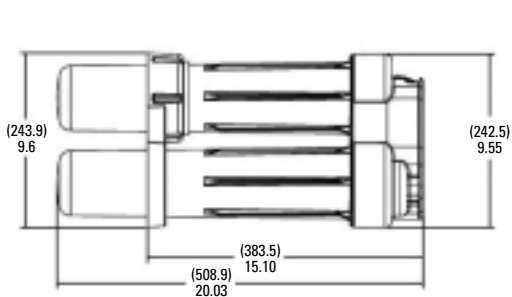
6 - ANGABEN

Leistung

Betriebsbedingungen (Minimum und Maximum)

Zulässige	Minimum	Maximum
Eingangsdruck	2.76 bar (40 psi)	5.52 bar (80 psi)
Eingangstemperatur	4.44°C (40°F)	37.78°C (100°F)
TDS-Gehalt	50 mg/L	2,000 mg/L
Härte	0 mg/L (0 grain)	171 mg/L (10 grain)
Chloregehalt	0 mg/L	1.0 mg/L
Eisengehalt	0 mg/L	0.1 mg/L
Mangangehalt	0 mg/L	0.05 mg/L
pH-Wert	4	10
Trübung	0	1 NTU

Größe



D
E
U
T
S
C
H

7 - FEHLERBEHEBUNG

Störung	mögliche Ursache	Abhilfe
Geringer Durchfluss	Geringer Betriebsdruck	Zulaufdruck erhöhen. Betrachten Sie eine Pumpe für Niederdruckstandorte. Kurze Schlauchlängen verwenden um Durchfluss-Beschränkung zu reduzieren. Schlauchdurchmesser für längere Entfernungen erhöhen.
	Geringe Wassertemperatur oder hoher TDS-Wert	Zulaufwassertemperatur oder Zulaufdruck zur Kompensation erhöhen.
	Gesperrter Vorfilter	Gesperrter Vorfilter austauschen. Betrachten Sie einen Sediment-Vorfilter für nicht-chlorierte Anwendungen.
	Abgelagerte oder verschmutzte UO-Membran	Membrane austauschen.
	Armaturen nicht richtig eingestellt	Stellen Sie T-Bar-Einstellung so knapp wie möglich ein ohne Leckagen vom Wasserhahn.
	Leckage oder Knick in der Leitung	Leckage oder Knick suchen und reparieren.
Konzentratwasser läuft zum Abfluss wenn Wasserhahn abgesperrt ist	Gesperrter Vorfilter	Gesperrter Vorfilter austauschen. Betrachten Sie einen Sediment-Vorfilter für nicht-chlorierte Anwendungen.
	Leckage in der Leitung	Leckage suchen und reparieren. Manometer in der Leitung installieren zur Identifizierung einer Druckleckage.
Schlechte Wasserqualität	Wasserprobe entnommen während Durchspülung	Proben nach 3 Minuten ständiges Betriebs entnehmen.
	Geringer Betriebsdruck	Zulaufdruck erhöhen. Betrachten Sie eine Pumpe für Niederdruckstandorte. Kurze Schlauchlängen verwenden um Durchfluss-Beschränkung zu reduzieren. Schlauchdurchmesser für längere Entfernungen erhöhen.
	Gesperrter Vorfilter	Gesperrter Vorfilter austauschen. Betrachten Sie einen Sediment-Vorfilter für nicht-chlorierte Anwendungen.
	Abgelagerte, verschmutzte oder beschädigte UO-Membran	Membrane austauschen.

ÍNDICE

1	GUÍAS DE SEGURIDAD	P. 54
2	EL SISTEMA BÁSICO DE ÓSMOSIS INVERSA	P. 55
3	INSTALACIÓN	P. 61
4	CÓMO MANTENER EL SISTEMA DE OI	P. 65
5	REEMPLAZO DEL PREFILTRO, EL POSTFILTRO Y LAS MEMBRANAS DE OI	P. 66
6	ESPECIFICACIONES	P. 68
7	GUÍA PARA LA LOCALIZACIÓN Y RESOLUCIÓN DE PROBLEMAS	P. 69
8	INSTRUCCIONES DE INSTALACIÓN DEL CONJUNTO DRAIN BOA™, MODELO DC 9700	P. 87

1 - GUÍAS DE SEGURIDAD

Lea y siga todos los pasos y las guías cuidadosamente antes de instalar y usar su sistema de ósmosis inversa.

No use este producto para fabricar agua potable segura a partir de fuentes de agua no potable. No use el sistema con agua microbiológicamente insegura o con agua de calidad desconocida sin una adecuada desinfección previa o posterior al sistema.

Este sistema de ósmosis inversa incluye componentes reemplazables (membranas). Estos componentes son críticos para lograr una eficaz reducción del total de sólidos disueltos y de los contaminantes específicos incluidos en el listado del Anexo.

El sistema de agua potable no incluye un dispositivo de monitorización para contaminantes. A fin de verificar que el sistema se esté comportando satisfactoriamente, el representante que instale el sistema debe probar periódicamente el agua producida cada seis meses. El laboratorio debe estar legalizado para comprobar la presencia de los contaminantes de riesgo específicos. Para obtener una lista de los laboratorios legalizados, pónganse en contacto con las agencias oficiales locales.

Consulte al organismo local de obras públicas respecto a códigos de fontanería y sanidad. Siga los códigos locales si difieren de los de este manual.

El sistema de ósmosis inversa funciona con presiones de agua de 2,8 bars (mínima) a 5,5 bars (máxima). La presión del agua se puede reducir instalando una válvula reductora de presión en la tubería de suministro de agua al sistema de OI. Para las aplicaciones de baja presión, se deberá emplear una bomba de refuerzo. No instale el sistema de ósmosis inversa bajo temperaturas extremadamente altas o bajas. La temperatura del agua de suministro al sistema de ósmosis inversa debe estar entre 4°C (40°F) y 38°C (100°F). No lo instale en líneas de agua caliente.

Las membranas de ósmosis inversa contienen un conservante de grado alimentario para su almacenamiento y envío. Todas las membranas nuevas requieren un aclarado de un mínimo de 2 horas, para eliminar adecuadamente el agente de conservación. Este no es nocivo para la salud pero torna objetable el sabor del agua que se produce. Aclarar la membrana también actúa como un acondicionador para el funcionamiento. Todas las membranas nuevas alcanzan sus prestaciones máximas estables después de 8 horas de aclarado.

2 - EL SISTEMA BÁSICO DE ÓSMOSIS INVERSA

Su sistema de agua potable por ósmosis inversa (OI) es un equipo para tratamiento de agua. Emplea la presión del agua para revertir el proceso físico natural llamado ósmosis. El agua bajo presión pasa a través de una membrana semipermeable para filtrar minerales e impurezas. Lo que llega al grifo es agua potable limpia. Los minerales y las impurezas van a parar al desagüe con las aguas residuales de la OI.

El sistema incluye filtros y membranas reemplazables. El prefiltro elimina la arena, el cieno, la suciedad, las partículas de herrumbre, otros sedimentos y el cloro del suministro de agua antes de su llegada a los elementos de la membrana de OI. El postfiltro elimina todo sabor y/u olor que pueda haber quedado en el agua luego de su pasaje por los elementos de la membrana de OI.

Antes de instalar el sistema de OI

- Se va a lograr una mejor performance del sistema cuando el agua de entrada haya sido tratada (ablandada).
- El agua que ingresa al sistema debe cumplir con ciertos límites en cuanto a sedimentos, presión, etc. Vea las especificaciones para determinar si su instalación está dentro de los límites.
- Se puede realizar un análisis de calidad del agua para determinar si el agua de entrada requiere algún tratamiento. Póngase en contacto con su distribuidor o instalador.
- Los filtros y las membranas del sistema de OI deben reemplazarse regularmente. Siga las instrucciones que encontrará en este manual para su reemplazo.

NOTA: Para lograr una performance óptima del sistema, éste debe utilizarse como mínimo durante 2 minutos, en forma continuada, por día.

ADVERTENCIA: El sistema de OI está diseñado para funcionar sin la ayuda de un tanque de almacenamiento. La instalación de un tanque de almacenaje presurizado afectará el funcionamiento del sistema.

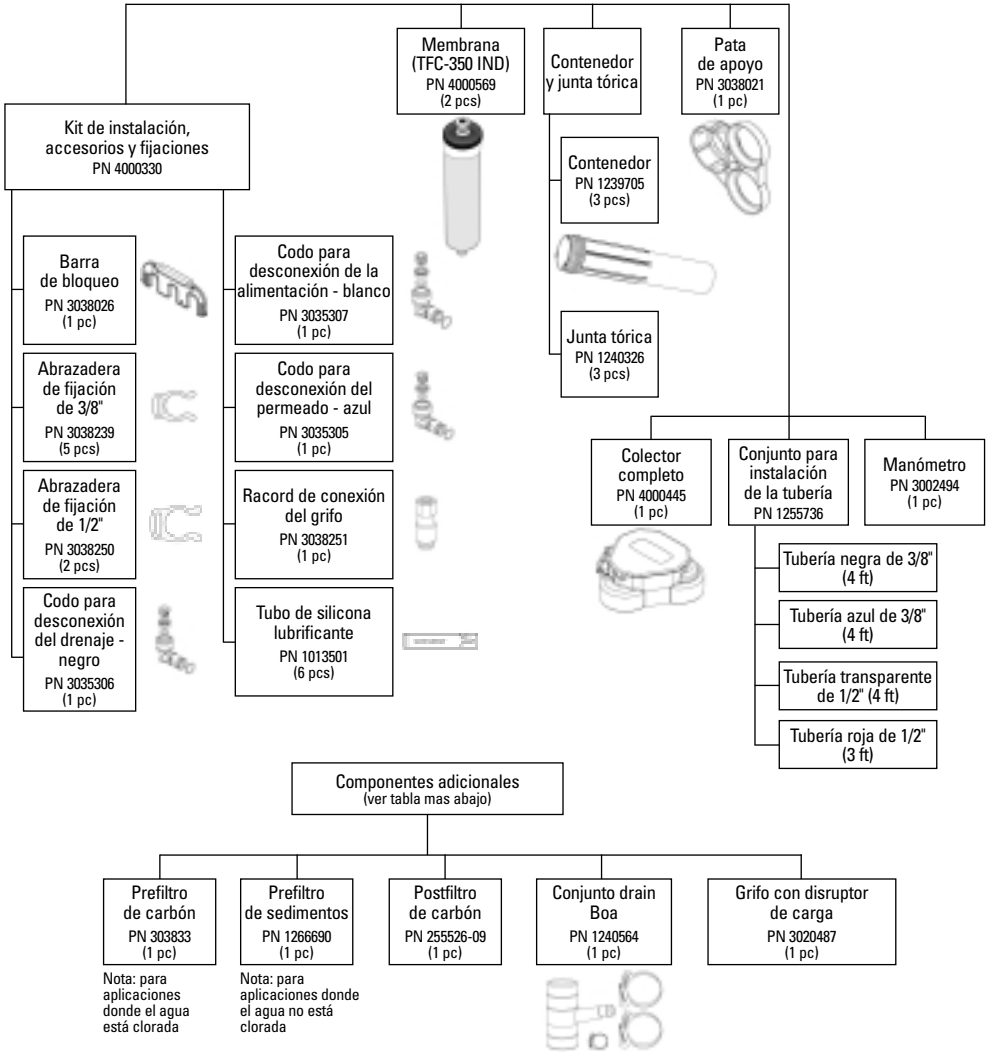
Herramientas y materiales necesarios

- Llave inglesa y pinzas de mordazas ajustables o llave para tubos del tamaño del desagüe del fregadero
- Sierra para cortar el tubo de drenaje
- Destornilladores planos y Philips
- Cortadores de tubos
- Agujereadora eléctrica y brocas para cortar el orificio de montaje del grifo

NOTA: Nótese que hay fregaderos que ya tienen el orificio perforado con un tapón para el grifo.

2 - EL SISTEMA BÁSICO DE ÓSMOSIS INVERSA

Algunas configuraciones pueden no incluir todos los componentes indicados más abajo



E S P A Ñ O L

Ilustración 1

2 - EL SISTEMA BÁSICO DE ÓSMOSIS INVERSA

Ubicación del sistema

El sistema de ósmosis inversa está diseñado para su instalación debajo de un fregadero, generalmente en la cocina o en el baño. El conjunto de OI puede colocarse sobre el piso del gabinete en cualquier posición en la que no se ejerza presión sobre los codos de desconexión. El grifo de salida de agua procesada por OI se instala sobre el fregadero o sobre la encimera cercana al mismo.

El sistema de OI puede ubicarse también en una ubicación alejada del grifo. Se requiere una fuente de agua y un punto de drenaje cercanos.

NOTA:

- Mantenga cortos los tramos de tuberías. Los tramos más largos reducirán la capacidad del sistema. En la línea de suministro puede emplearse una bomba de refuerzo.
- Toda la fontanería debe realizarse según los códigos estatales y municipales de fontanería. Algunos códigos pueden exigir que la instalación sea realizada por un fontanero habilitado; consulte con la autoridad local que corresponda antes de proceder a la instalación.

ADVERTENCIA: Todos los componentes y la tubería deben ubicarse en una zona en la que no estén expuestos a temperaturas por debajo del punto de congelación. No exponer la unidad ni la manguera a la luz solar directa.

Punto de desagüe: Se necesita contar con un punto de desagüe apropiado para el agua residual del sistema de OI. Son aceptables tanto una rejilla de piso como un desagüe de lavadero, un tubo vertical, un sumidero, etc. Si la descarga se hace al sumidero o tubo vertical públicos, se debe instalar un espacio de aire de más de 1/2" por encima del nivel de desborde. Se incluye un adaptador trampa de drenaje para su instalación como punto de desagüe opcional donde los códigos lo permitan.

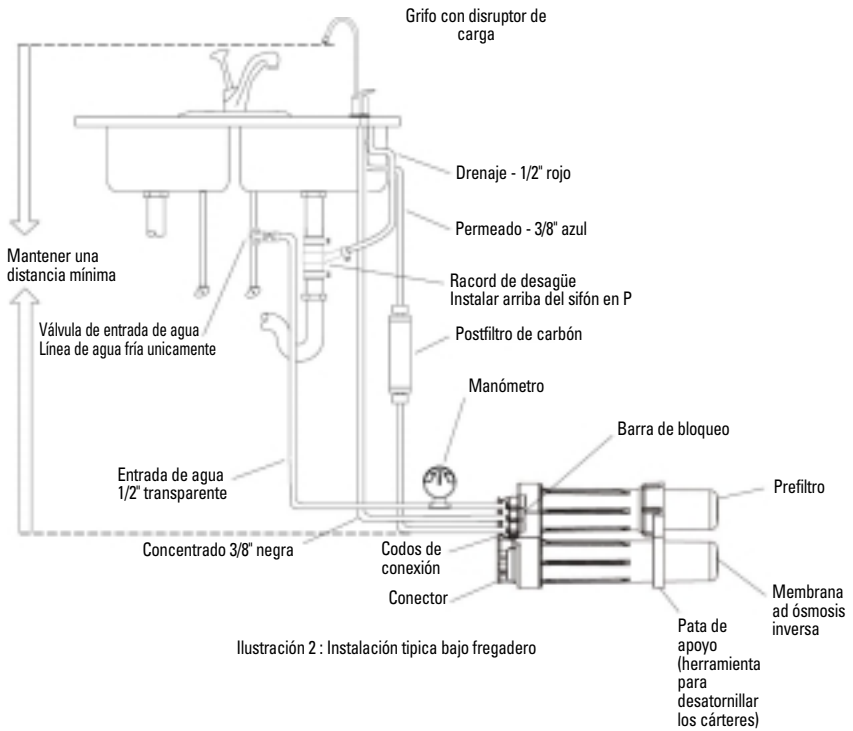
NO conecte la línea de drenaje del sistema al desagüe del fregadero ni cerca de la eliminación de basura. La contrapresión de éstos puede provocar que el disruptor de carga se desborde.

Grifo surtidor: El grifo debe estar ubicado cerca del lugar de donde habitualmente se obtiene el agua potable. Algunos temas a considerar son la comodidad del uso (para llenar jarros o vasos) y una zona despejada por debajo del grifo debajo del fregadero para fijar las tuberías del producto y de desagüe. Se requiere una superficie plana con un diámetro de 5 cm (2") por encima y por debajo del lugar de instalación. El espesor de la superficie de montaje no debería exceder las 3,2 cm (1"1/4). Evítese que haya una cincha de refuerzo del lado de abajo del fregadero.

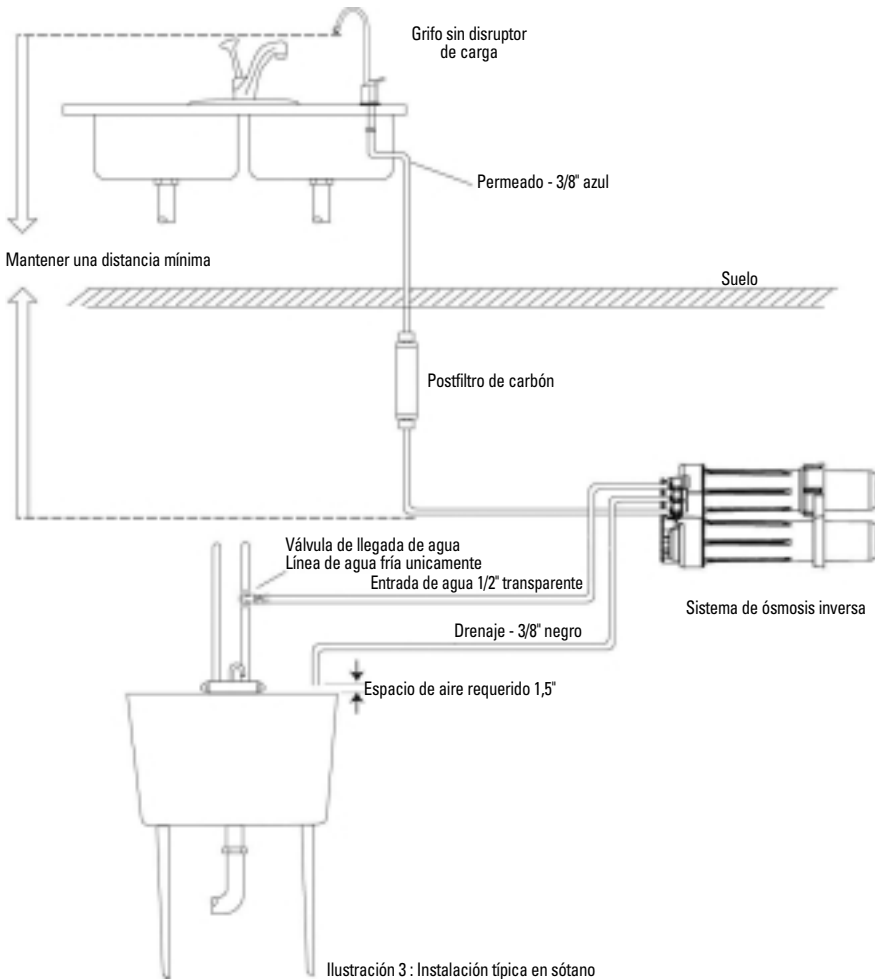
Conjunto colector de OI: El colector se puede instalar a derecha o izquierda del lado de debajo del fregadero o de un gabinete. También es una opción instalarlo en el sótano. Una ubicación posible es cerca del sumidero del lavadero o de la trascocina, donde está cercano el acceso a agua potable fría y al desagüe. La ubicación elegida debe contar con el espacio y el acceso apropiados para los cambios de las membranas.

En áreas reducidas debajo de fregaderos, puede resultar más fácil instalar primero el grifo. Deje tubos de suficiente longitud para el posicionamiento final del sistema.

2 - EL SISTEMA BÁSICO DE ÓSMOSIS INVERSA



2 - EL SISTEMA BÁSICO DE ÓSMOSIS INVERSA



2 - EL SISTEMA BÁSICO DE ÓSMOSIS INVERSA

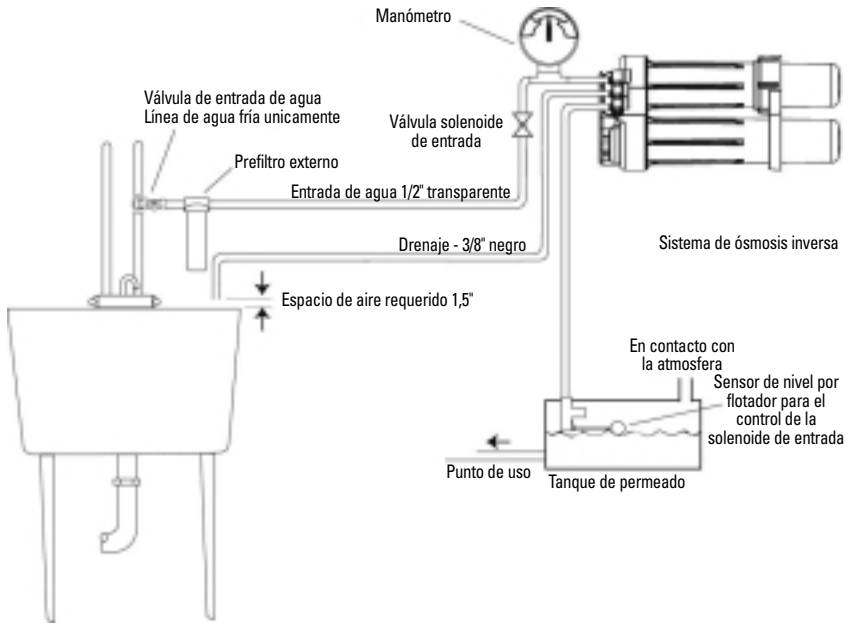


Ilustración 4 : Instalaciones semicomerciales estándar

3 - INSTALACIÓN

PASO 1: Instale la válvula de suministro de agua fría

PASO 2: Instale el adaptador para drenaje

PASO 3: Instale el grifo

PASO 4: Haga las conexiones de los tubos

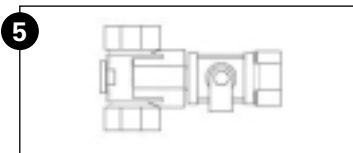
PASO 5: Instale el conjunto de OI

PASO 6: Puesta en marcha del sistema

NOTA: Consulte a un fontanero habilitado si no está usted familiarizado con los procedimientos de fontanería.

Paso 1: Instale la válvula de suministro de agua fría

Cumpla con los códigos de fontanería locales. Se muestra una conexión típica con válvula de suministro de agua. (Ilustración 5).



Válvula de suministro de agua

NOTA: Asegúrese de cerrar el suministro de agua y de abrir un grifo bajo para drenar el tubo.

Los tubos para agua fría son de variados tamaños y estilos. El instalador decidirá el tipo de válvula a usar. Instale una válvula en el tubo de suministro de agua fría para adaptar la tubería de 1/2" de diámetro externo. Si se utilizan accesorios roscados, no olvide emplear un compuesto para juntas de tubos o cinta de Teflón en las roscas exteriores. Cierre la válvula.

Paso 2: Instale el adaptador de drenaje

Siga las instrucciones del Anexo para la instalación de la Drain Boa™. El adaptador de drenaje está diseñado para conectarlo con el tubo de desagüe del fregadero de 1"1/2. El adaptador se instala directamente en la alcachofa del fregadero.

Paso 3: Instale el grifo

A. Prepare el orificio de montaje

1. Elija la ubicación del grifo. Asegúrese de que apoye bien contra el fregadero o la encimera y de que hay espacio debajo para la tubería.

2. 2. Si es necesario perforar, haga un orificio de 1"1/2 de diámetro.

ADVERTENCIA: Para evitar daños en el fregadero, consulte a un fontanero o instalador cualificados respecto al método adecuado para hacer orificios en porcelana o acero inoxidable.

B. Arme el grifo

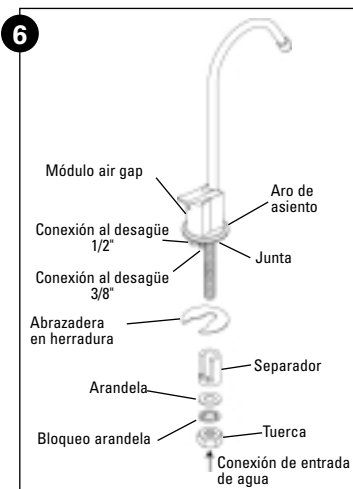
Los tubos y las abrazaderas se montan en el grifo antes de ubicarlo en su posición. Esto se puede hacer sobre el fregadero.

1. Desplace el aro decorativo por las conexiones de la tubería y hacia arriba hasta que llegue a la parte de abajo del grifo.

2. Desplace la junta por las conexiones de la tubería y hacia arriba hasta que llegue a la parte de abajo del grifo.

3. Desplace el separador sobre el tubo roscado, seguido por la arandela, la arandela de bloqueo y la tuerca estándar.

4. Atornille el conector de tubos roscado en el extremo roscado del tubo.



3 - INSTALACIÓN

5. Conecte la tubería azul de 3/8" presionándola con fuerza contra el conector.
6. Presione la tubería negra de 3/8" contra el pequeño portamanguera del aro. La tubería roja de 1/2" se empuja contra el portamanguera grande.
7. Coloque el grifo en su posición.
8. La abrazadera en herradura se ubica alrededor del tubo roscado de abajo del fregadero y por encima del separador. Esta pinza debe unir la manguera conectada con el disruptor de carga.
9. Ajuste la tuerca contra la abrazadera para sostener el grifo en su posición.

Paso 4: Haga las conexiones de los tubos

- Conexión de alimentación - tubería transparente desde la válvula de alimentación hasta el codo conector blanco
- Conexión de drenaje - la tubería roja que sale del espacio de aire o la tubería negra que sale del codo conector negro se fijarán al adaptador de drenaje
- Conexión de permeado - cañería azul del grifo a la conexión del codo azul
- Ajuste los accesorios al colector

En Ilustración 7 puede verse una conexión típica: vista lateral y corte del accesorio de tubería.

NOTA: Para lograr una performance óptima del sistema, recomendamos emplear tubos de las menores longitudes posibles.

Postfiltro

Instale el postfiltro en línea con la tubería azul de permeado el nuevo postfiltro. Asegúrese de que la flecha que indica la dirección del flujo coincide con el paso del agua. Asegure la tubería con abrazaderas de fijación.

Adaptador (opcional)

El adaptador de drenaje tiene una entrada de caucho a la que pueden conectarse el tubo de drenaje negro de 3/8" o el tubo rojo de 1/2". La tubería negra de 3/8" se conecta al adaptador cuando no se está usando el módulo air gap del grifo.

Cuando la tubería está en posición, utilice las abrazaderas de manguera que se proveen para asegurar la conexión.

NOTA: Cuando se esté insertando tubería en la entrada del adaptador de drenaje, la tubería debe mojarse. El agua ayudará a que la tubería se deslice por la entrada de goma.

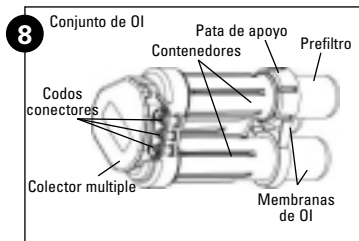
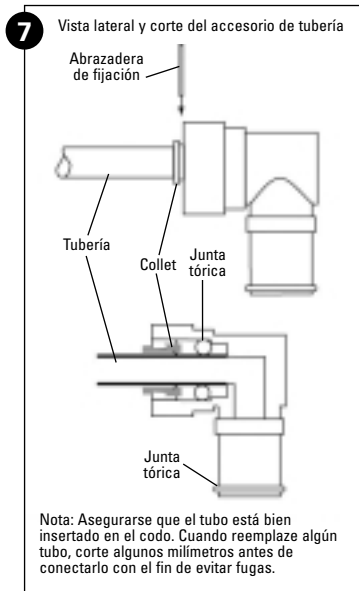
Manómetro

El manómetro puede conectarse a la línea de alimentación para supervisar la presión de alimentación del sistema. Para el funcionamiento adecuado del sistema la presión dinámica de alimentación debe estar entre 2,76 bar (40 psi) y 5,52 bar (80 psi) cuando el sistema está funcionando.

PRECAUCIÓN: El manómetro solo debe utilizarse durante la instalación y la solución de problemas del sistema OI. El manómetro debe desmontarse durante el funcionamiento normal del sistema, porque algunas agencias no aceptan el sistema OI con manómetro instalado.

Paso 5: Instale el conjunto de OI

El conjunto de OI incluye los siguientes componentes: contenedores (3), pata de apoyo, prefiltro, elementos de la membrana de OI (2) y postfiltro. La tubería se fija al colector mediante los codos conectores. Cuando se elija una ubicación para el sistema, déjese suficiente tubería como para que ésta se pueda desplazar cuando se realiza el servicio período de los filtros y de las membranas. (Ilustración 8 - Conjunto de OI)



3 - INSTALACIÓN

ADVERTENCIA: No intente colgar directamente el sistema en forma independiente. No trate de hacer perforaciones para montaje en parte alguna del sistema. Si se lo instala al nivel del suelo o de un gabinete, se recomienda usar un estante permanente y fuerte.

Posiciones de ubicación recomendadas

El conjunto debe ubicarse en una de las siguientes dos maneras.

La primera posición es con el equipo en posición vertical, usando la pata de apoyo con los contenedores en posición horizontal. La tubería se dispone para poder ajustarla de la mejor manera posible.

En la segunda posición, el equipo se ubica en el extremo de manera que el colector esté horizontal y los contenedores sobresalgan hacia arriba. La tubería se direccionan hacia arriba y la barra de bloqueo está hacia abajo para bloquear las conexiones con la tubería.

Véanse Ilustración 9 - Posiciones del sistema.

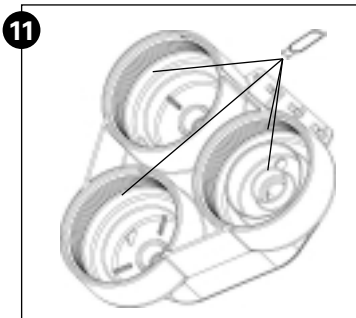
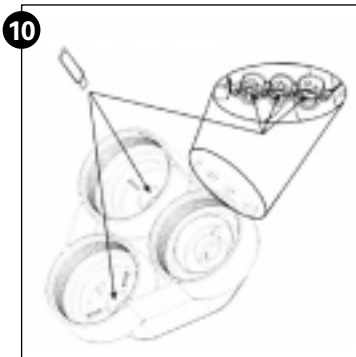
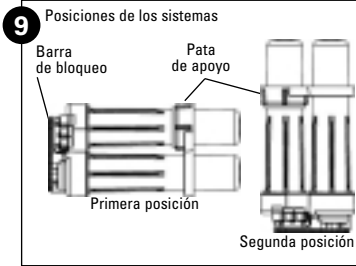
NOTA: Asegurarse que esté instalado la pata de apoyo en los contenedores.

Lubricación de conexión

Las conexiones con juntas tóricas deben lubricarse adecuadamente. Las instrucciones siguientes describen el método y las ubicaciones para lubricar.

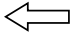


Se suministran seis paquetes de silicona lubricante. Debe utilizarse un paquete completo para lubricar las superficies de contacto de las juntas tóricas en los 3 puertos diferentes, y las ubicaciones de las 2 membranas OI (Ilustración 10). Seguir la Ilustración 11 y lubricar la base del filtro y la superficie plana debajo de las roscas para las ubicaciones de los tres contenedores. Usar un paquete de silicona completo para cada ubicación de contenedor.

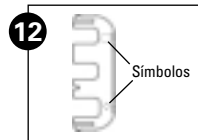
NOTA: Para lubricar adecuadamente el área de contacto de la junta tórica, se aplica una película de grasa de silicona limpia. La película debe cubrir toda la superficie del área sobre la que se deslizará la junta tórica y que sellará. No utilizar grasa que contenga productos derivados del petróleo.



3 - INSTALACIÓN

La siguiente tabla muestra el sistema de codificación para las conexiones. Cada conexión tiene su entrada exclusiva clave para su encaje en el colector. Además de esa clave, a cada conexión se le ha moldeado un símbolo gráfico en el codo que se corresponde con un símbolo en el colector.

Símbolo de conector	Conexión	Color de la tubería
	Entrada de alimentación	Natural
	Concentrado	Negro
	Producto	Azul



ADVERTENCIA: Asegúrese de lubricar las juntas tóricas de los codos de accesorios con lubricante a base de silicona antes de insertarlos en el colector.

ADVERTENCIA: No abra la válvula de entrada de agua hasta que la barra de bloqueo esté en su lugar. Cuando se han realizado todas las conexiones, úsese la barra de bloqueo para sostener las conexiones en su posición. Haga coincidir los símbolos de la barra de bloqueo con los símbolos correspondientes del colector. (Ilustración 12).

Paso 6: Puesta en marcha del sistema

1. Inspeccione todas las conexiones.
2. Ubique el colector en posición horizontal, con las conexiones hacia arriba.
3. Quite las nuevas membranas del embalaje. Las cintas negra y amarilla que rodean la membrana, son una parte importante de la membrana y no deben eliminarse.

CUIDADO: Las membranas contienen un conservante de grado alimentario. Se recomienda el uso de guantes estériles/de látex.

4. Deben lubricarse todas las bases de las juntas tóricas que entran en contacto con el contenedor y los elementos de la junta tórica. Consultar el capítulo "Lubricación de conexión" para el procedimiento correcto de lubricación de los elementos del contenedor.

NOTA: Para lubricar adecuadamente el área de contacto de la junta tórica, se aplica una película de grasa de silicona limpia. La película debe cubrir toda la superficie del área sobre la que se deslizará la junta tórica y que sellará. No utilizar grasa que contenga productos derivados del petróleo.

5. Inserte con firmeza el extremo con junta tórica de las membranas en el colector.
6. Quite el prefiltro del embalaje. Verifique que las juntas estén bien ubicadas.
7. Coloque el prefiltro en el colector.
8. Coloque los contenedores y ajústelos hasta el tope.

Prueba de presión

Para verificar que no haya pérdidas, se debe llenar el sistema con agua y llevarlo a la presión de operación.

1. Abra la válvula de agua fría de alimentación lentamente. Déjela correr a medio abrir y, luego ábrala totalmente.
2. Abra el grifo hasta que corra agua.
3. Controle si hay pérdidas.

NOTA: Cuando se abre el grifo por primera vez, por un cierto tiempo, el agua puede barbotar al salir del espacio de aire hasta que el aire se purgue. Permita que pasen de 1 a 3 horas antes de que desaparezca el ruido del aire atrapado en el sistema.

4. Purgue el sistema. Abra el grifo y deje correr agua a través del sistema de OI durante de dos hasta ocho horas.

NOTA: Es necesario un mínimo de 2 horas de aclarado para eliminar el agente de conservación de grado alimentario. Después de 8 horas el funcionamiento alcanzará sus prestaciones estables máximas. Ahora, el sistema de OI está listo para su uso.

4 - CÓMO MANTENER EL SISTEMA DE OI

Los componentes del sistema de OI están diseñados para funcionar con un mínimo de mantenimiento. No obstante, va a ser necesario reemplazar periódicamente las membranas y los filtros.

Para lograr una performance óptima el sistema se debe hacer funcionar, como mínimo, durante dos minutos por día, si los períodos de inactividad superan las seis horas.

Reemplazo del prefiltro y postfiltro

El prefiltro de carbón/sedimento elimina el sedimento y ciertos productos químicos, como el cloro, del agua. Dependiendo del uso del agua y de la cantidad de impurezas, este filtro deberá reemplazarse cada seis a doce meses para aplicaciones al punto de uso.

Siempre que se reemplace el prefiltro, también deberá reemplazarse el postfiltro.

En las instalaciones que utilizan más de 75,7 litros (20 galones) de producto acuoso diario, deben instalarse filtros externos (no incluidos) para reducir el cloro y sedimentos mayores de 10 micras.

Reemplazo de las membranas de OI

La vida útil de las membranas de OI variará con relación a la calidad del agua de alimentación. El agua producida deberá someterse a ensayos periódicos a fin de verificar que las membranas estén funcionando adecuadamente. En la mayoría de las aplicaciones al punto de uso, las membranas de OI deberían reemplazarse cada dos a cuatro años.

NOTA: El enjuague de una hora elimina el conservante de grado alimentario de las membranas. No es nocivo, pero puede afectar el sabor del agua.

5 - REEMPLAZO DEL PREFILTRO, EL POSTFILTRO Y LAS MEMBRANAS DE OI

1. Cierre el suministro de agua al sistema de OI.
2. Reduzca la presión de agua en el sistema abriendo el grifo.
CUIDADO: Aún con la entrada de agua de alimentación cerrada, los contenedores con el prefiltro o con las membranas contendrán una cantidad considerable de agua. Ubicando el conjunto de OI en un lavabo o una bañera, se contendrá la mayor parte del agua.
3. Desconecte la barra de bloqueo y coloque las conexiones (con la tubería aún conectada) en una tina o un cubo.
4. Traslade el sistema a una zona de contención, como un lavabo o una bañera.
5. Quite la pata de apoyo de los tres contenedores y desatornille el contenedor superior como se indica para tener acceso al elemento del prefiltro. La pata de apoyo funciona como llave para aflojar los contenedores, Ilustración 13.

NOTA:

- No hay necesidad de desconectar la tubería de las conexiones del colector. Quite la barra de bloqueo y tire de las conexiones hacia fuera. Lubrique las juntas tóricas con silicona antes de volver a armar.
- Si se van a reponer solamente el prefiltro y el postfiltro, no es necesario quitar los demás contenedores. Si se reemplazan las membranas, deberán cambiarse también el prefiltro y el postfiltro.

6. Quite el prefiltro agotado y elimínelo.

CUIDADO: La persona que manipule los filtros y los elementos de membrana debe tener las manos limpias para mantener esterilizado el sistema. Se recomienda el uso de guantes de látex esterilizados.

7. Si debe cambiar las membranas:

- a. Quite los contenedores de las membranas. Quite y elimine los elementos usados.

- b. Saque los elementos nuevos del embalaje.

CUIDADO: Las membranas contienen conservantes de grado alimentario. Se recomienda enfáticamente el uso de guantes estériles/de látex.

- c. Lubrique las juntas tóricas del elemento, los sellos de salmuera y las juntas tóricas del contenedor con lubricante de siliconas. Consultar el capítulo "Lubricación de Conexión" para el procedimiento correcto de lubricación con el cartucho.

- d. Inserte firmemente el extremo de la junta tórica de los elementos en el colector. Véase la Ilustración 13.

- e. Coloque los contenedores y ajústelos hasta el tope.

NOTA: Se deberá esterilizar el sistema cada vez que se reemplace una membrana o filtro.

8. Esterilice el sistema.

- a. El colector se debe ubicar plano, con las conexiones para los contenedores hacia arriba.

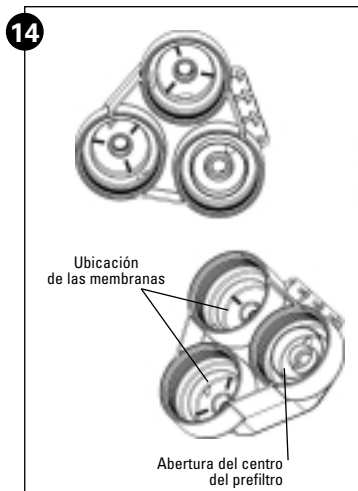
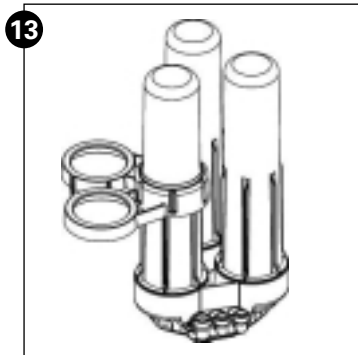
- b. Vuelque una cucharada (15 mililitros) de lejía clorada en el orificio central de la conexión del contenedor del prefiltro. Véase Ilustración 14.

9. Instale el prefiltro.

- a. Quite el prefiltro del embalaje. Asegúrese de que las juntas están firmes. Inserte el prefiltro en la abertura correspondiente del colector.

- b. Lubrique la junta tórica del contenedor con lubricante de silicona.

- c. Manteniendo el elemento del prefiltro en su lugar, atornille el contenedor en la conexión hasta el tope.



5 - REEMPLAZO DEL PREFILTRO, EL POSTFILTRO Y LAS MEMBRANAS DE OI

10. Reemplace el postfiltro.

a. Para destrabar los accesorios de la tubería, empuje las mangas collet hacia abajo y saque la tubería tirando de la misma.

b. Elimine el postfiltro agotado.

c. Para evitar pérdidas, córtelo aproximadamente 1/4" a la tubería antes de conectar el nuevo postfiltro. Asegúrese de que la flecha que indica la dirección del flujo coincide con el paso del agua. Vuelva a insertar la tubería y las abrazaderas de fijación.

11. Vuelva a conectar los accesorios al colector y fíjelos en posición con la barra de bloqueo.

12. Vuelva a ubicar el conjunto y abra el suministro de agua. Controle que el sistema no tenga pérdidas.

CUIDADO: Cuando se abre el grifo, el agua puede barbotar desde el espacio de aire hasta que se purgue el aire atrapado.

13. Abra el grifo y deje correr agua durante dos minutos.

NOTA: Puede haber residuos finos de carbón hasta que se enjuague el elemento del postfiltro.

14. Cierre el grifo y deje que el sistema permanezca inactivo durante unos 20 a 30 minutos.

15. Abra el grifo y deje correr agua durante dos minutos o hasta que se haya ido el olor a cloro.

16. Verifique si hay pérdidas.

NOTA: Si se han sustituido los dos elementos de membrana OI, el sistema debe limpiarse por caudal, según el paso 6 del procedimiento de puesta en marcha del sistema, como se describe arriba.

Ahora, el sistema de OI está listo para su uso.

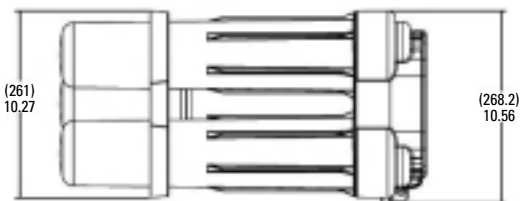
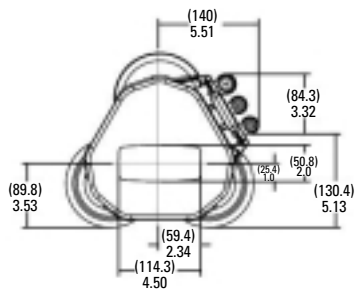
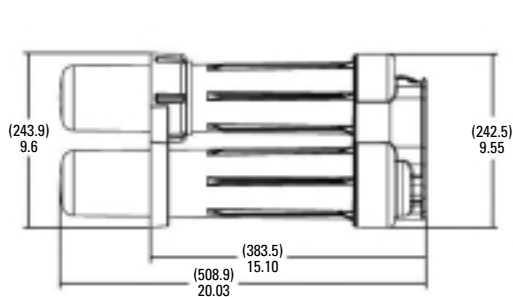
6 - ESPECIFICACIONES

Performance

Condiciones mínima y máxima de operación

Estado	Mínimo	Máximo
Presión de entrada	2,76 bar (40 psi)	5,52 bar (80 psi)
Temperatura de entrada	4,44°C (40°F)	37,78°C (100°F)
TDS a la entrada	50 mg/L	2.000 mg/L
Dureza de entrada	0 mg/L (0 grain)	171 mg/L (10 grain)
Cloro de entrada	0 mg/L	1,0 mg/L
Hierro de entrada	0 mg/L	0,1 mg/L
Manganeso de entrada	0 mg/L	0,05 mg/L
pH a la entrada	4	10
Turbidez a la entrada	0	1 NTU

Dimensiones



7 - GUÍA PARA LA LOCALIZACIÓN Y RESOLUCIÓN DE PROBLEMAS

Problema	Causa posible	Acción correctiva
Bajo caudal del producto	Baja presión impulsora	Aumentar la presión de alimentación. Considerar una bomba para las aplicaciones de baja presión. Usar recorridos de manguera cortos para disminuir la restricción de caudal. Aumentar el diámetro de la manguera para distancias más largas.
	Agua con temperatura baja o nivel de TDS (Sólidos totales disueltos) alto	Aumentar la temperatura del agua de alimentación o la presión de alimentación, para compensarlo.
	Prefiltro atascado	Sustituir el prefiltro atascado. Considerar un prefiltro de sedimentos para aplicaciones no cloradas.
	Membrana OI escamada o sucia	Sustituir las membranas.
	Grifos mal ajustadas	Ajustar el parámetro de la barra-t del grifo, con la mayor tensión posible, sin provocar pérdidas en el grifo.
	Postfiltro atascado	Si el caudal entrante en el postfiltro es aceptable, reemplazar el postfiltro.
	Pérdida o vuelta en la línea de producto	Encontrar y reparar la pérdida o vuelta.
Agua concentrada corra al desagüe, después de cerrar el grifo	Prefiltro atascado	Encontrar y reparar la pérdida. Instalar un manómetro de presión en la línea de producto, para ayudar a identificar una pérdida de presión de producto.
	Pérdida en la línea de producto	Encontrar y reparar la pérdida. Instalar un manómetro de presión en la línea de producto, para ayudar a identificar una pérdida de presión de producto.
Mala calidad del agua	Muestra de agua tomada durante el lavado caudal del sistema	Tomar la muestra después de tres minutos de funcionamiento continuo.
	Baja presión impulsora	Aumentar la presión de alimentación. Considerar una bomba para las aplicaciones de baja presión. Usar recorridos de manguera cortos para disminuir la restricción de caudal. Aumentar el diámetro de la manguera para distancias más largas.
	Prefiltro atascado	Sustituir el prefiltro atascado. Considerar un prefiltro de sedimentos para aplicaciones no cloradas.
	Membrana OI escamada, sucia o estropeada	Sustituir las membranas OI.

INDICE

1	GUIDA AL CORRETTO UTILIZZO	P. 71
2	IL SISTEMA AD OSMOSI INVERSA DI BASE	P. 72
3	INSTALLAZIONE	P. 78
4	MANUTENZIONE DEL SISTEMA AD OI	P. 82
5	SOSTITUZIONE DEL PREFILTRO, DEL POSTFILTRO E DELLE MEMBRANE AD OSMOSI INVERSA	P. 83
6	SPECIFICHE	P. 85
7	RISOLUZIONE DEI PROBLEMI	P. 86
8	ISTRUZIONI DI INSTALLAZIONE PER KIT DRAIN BOA™, MODELLO DC 9700	P. 87

1 - GUIDA AL CORRETTO UTILIZZO

Leggere e seguire con attenzione tutte le fasi e le linee guida prima di installare ed utilizzare il sistema ad osmosi inversa.

Non utilizzare questo sistema per produrre acqua da bere sicura da fonti di acqua non potabile. Non usare il sistema su acqua non sicura dal punto di vista microbiologico o su acqua di qualità sconosciuta senza un'adeguata disinfezione prima o dopo il sistema.

Questo sistema ad osmosi inversa contiene componenti sostituibili (membrane). Questi componenti sono determinanti per la riduzione efficace dei solidi totali disciolti e dei contaminanti specifici elencati nella scheda tecnica del prodotto.

Il sistema ad osmosi inversa per la produzione di acqua potabile non è dotato di un dispositivo di monitoraggio dei contaminanti. Per verificare che il sistema stia lavorando in modo soddisfacente, l'acqua prodotta deve essere testata periodicamente, ogni sei mesi, dal rivenditore-installatore. Il laboratorio deve essere certificato per eseguire test sui contaminanti coinvolti. Per un elenco dei laboratori certificati, si prega di contattare le agenzie di regolamentazione locali.

Consultare l'ente locale di competenza per i regolamenti idraulici e sanitari. Seguire i regolamenti locali qualora differissero da questo manuale.

Il sistema ad osmosi inversa funziona con pressioni idriche da un minimo di 2,8 bar (40 psi) fino ad un massimo di 5,5 bar (80 psi). La pressione idrica può essere ridotta installando una valvola di riduzione della pressione nel tubo di alimento del sistema ad osmosi inversa. Può essere usata una pompa ausiliaria per applicazioni a bassa pressione.

Non installare il sistema ad osmosi inversa a temperature estremamente calde o fredde. La temperatura della fornitura idrica in ingresso nel sistema ad osmosi inversa deve essere tra 4°C (40°F) e 38°C (100°F).

Non installare su linee d'acqua calda.

Le membrane per l'osmosi inversa contengono un conservante alimentare per lo stoccaggio e la spedizione. Tutte le nuove membrane richiedono un tempo di lavaggio minimo di due ore per eliminare accuratamente il conservante. Tale conservante non è dannoso per la salute ma potrebbe rendere il gusto dell'acqua prodotta poco gradevole. Il lavaggio delle membrane aiuta inoltre a migliorarne le prestazioni. Tutte le membrane nuove raggiungono le massime prestazioni dopo otto ore di lavaggio.

2 - IL SISTEMA AD OSMOSI INVERSA DI BASE

Il vostro sistema ad osmosi inversa per la produzione di acqua potabile è un'unità di trattamento idrico, che usa la pressione idrica per invertire un processo fisico natural chiamato osmosi. L'acqua, sotto pressione, viene forzata attraverso una membrana semipermeabile per essere filtrata per eliminare minerali ed impurità. I minerali e le impurità vengono immessi nello scarico dell'osmosi inversa.

Il sistema include filtri e membrane sostituibili. Il prefiltro rimuove sabbia limo, impurità, particelle di ruggine, altri sedimenti e cloro prima che l'acqua di rete alimenti le membrane ad osmosi inversa. Il postfiltro rimuove ogni sapore e/o odore che può/possono rimanere nell'acqua dopo il passaggio attraverso le membrane ad osmosi inversa.

Prima di installare il sistema ad osmosi inversa

- Si potrà raggiungere una migliore prestazione del sistema se l'acqua in ingresso sarà stata trattata (addolcita).
- L'acqua che scorre nel sistema deve rientrare in certi limiti di sedimenti, pressione, ecc. Fare riferimento alle specifiche per determinare se la vostra installazione è entro tali limiti.
- Un'analisi qualitativa dell'acqua può essere effettuata per determinare se l'acqua in ingresso richiede trattamenti. Contattare il vostro rivenditore/installatore.
- I filtri e le membrane del sistema ad osmosi inversa necessitano di essere sostituiti regolarmente. Seguire le istruzioni di questo manuale per la sostituzione.

NOTE: Per una prestazione ottimale, usare il sistema per almeno 2 minuti di seguito ogni giorno.

ATTENZIONE: Il sistema ad osmosi inversa è progettato per funzionare senza l'aiuto di un serbatoio di stoccaggio. L'installazione di un serbatoio di stoccaggio pressurizzato influenzerà negativamente la prestazione del sistema.

Utensili e materiali necessari

- Chiave regolabile e pinze a ganasce grandi regolabili, oppure giratubi adatte allo scarico del lavandino
- Sega per tagliare il tubo di scarico
- Cacciaviti con punta a taglio e punta Phillips
- Utensili per il taglio dei tubi
- Trapano elettrico con punte per il foro di montaggio del rubinetto

NOTA: Notare che alcuni lavandini hanno un foro già esistente con una presa per il rubinetto.

2 - IL SISTEMA AD OSMOSI INVERSA DI BASE

Alcune configurazioni non possono comprendere tutti i componenti elencati sottostante

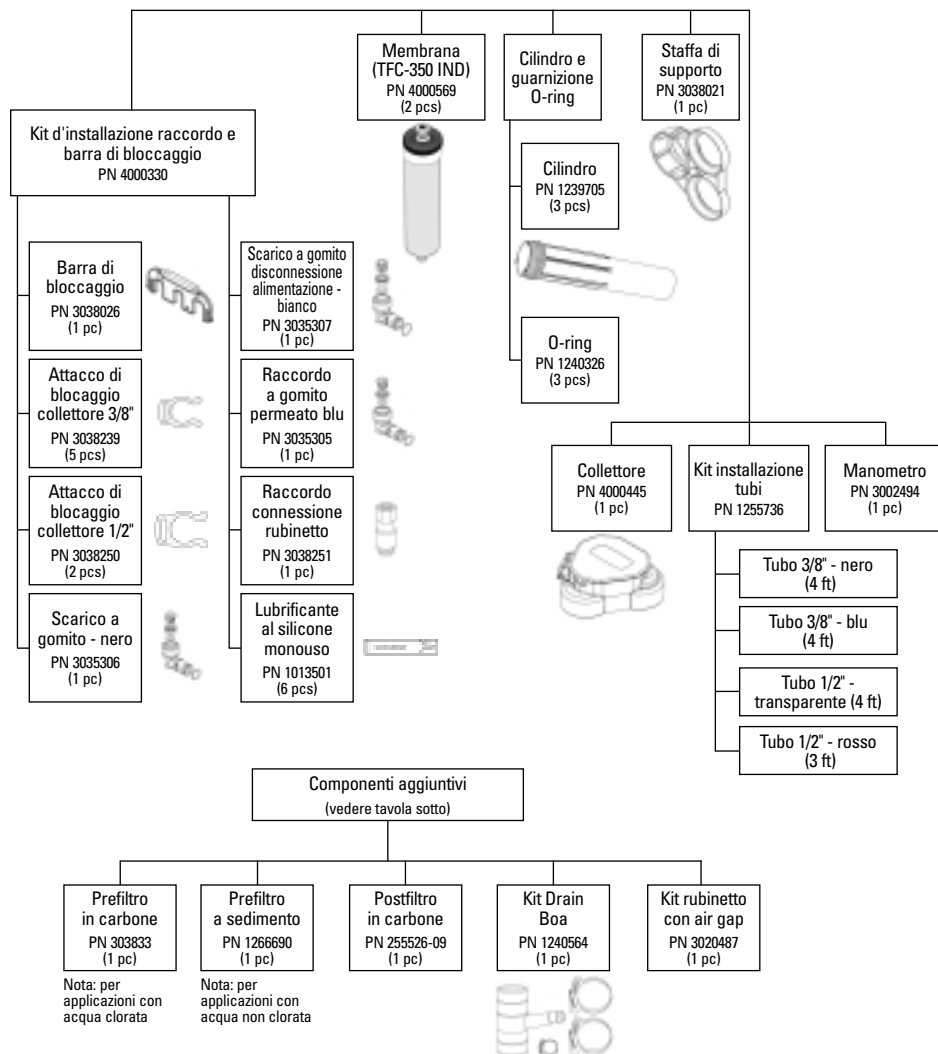


Figura 1

2 - IL SISTEMA AD OSMOSI INVERSA DI BASE

Collocazione del sistema

Il sistema ad osmosi inversa è stato progettato per essere installato sotto ad un lavandino, generalmente in cucina o in bagno. Il gruppo di osmosi inversa può essere posizionato nel mobile sottolavello o in qualsiasi posizione che non applichi pressione ai gomiti di disconnessione. Il rubinetto per l'acqua prodotta dall'osmosi inversa si installa sul lavello o sul piano accanto adesso.

Il sistema ad osmosi inversa può anche essere collocato in un luogo distante dal rubinetto, purché ci siano una fonte di alimentazione idrica ed uno scarico.

NOTA:

- Le tubazioni devono essere corte. Tubazioni lunghe possono diminuire la prestazione del sistema. Può essere usata una pompa ausiliaria sulla linea di alimentazione.
- Tutte le tubazioni devono essere conformi ai regolamenti idraulici statali e locali. Alcuni regolamenti possono richiedere che l'installazione venga eseguita da un idraulico qualificato; controllare con le autorità idrauliche locali prima dell'installazione.

ATTENZIONE: Tutti i componenti e le tubazioni devono essere collocati in un'area che non sia esposta a temperature sotto lo zero. Non esporre l'unità o le tubazioni alla luce diretta del sole.

Fornitura idrica: Per fornire l'acqua al sistema ad osmosi inversa, è necessario un raccordo per la fornitura, o l'installazione di raccordi per la tubazione. La valvola dell'acqua di alimentazione deve essere posizionata il più vicino possibile al gruppo del collettore. USARE SOLO UNA FORNITURA DI ACQUA FREDDA POTABILE. Si preferisce l'acqua addolcita in quanto farà durare di più la membrana.

Punto di scarico: È necessario un punto di scarico adeguato per l'acqua di drenaggio proveniente dal sistema ad osmosi inversa. Pilette di scarico, serbatoi, pozzi neri ecc. sono tutti accettabili. Se il sistema scarica nel lavandino di servizio o in un serbatoio, l'air-gap deve trovarsi ad oltre 1/2" rispetto al livello del flusso.

Un adattatore per il drenaggio con sifone intercettatore da lavandino è incluso come punto di drenaggio opzionale, se consentito dai regolamenti.

Non connettere mai la linea di scarico del sistema allo scarico della lavastoviglie o accanto alla pattumiera. Una pressione inversa da questa unità può causare il troppopieno dell'intercapedine.

Rubinetto erogatore: Il rubinetto deve essere messo vicino al lavandino dove viene normalmente prodotta acqua da bere. Sono da considerare la comodità d'uso (riempimento di brocche e bicchieri) ed uno spazio aperto accanto al rubinetto sotto al lavandino per collegare il prodotto e le tubazioni di scarico.

È necessaria una superficie piana con un diametro di 5 cm (2") sotto e sopra al sito di installazione. Lo spessore della superficie di montaggio non deve eccedere 3,2 cm (1"1/4). Evitare le reti di rinforzo sulla parte inferiore del lavandino.

Gruppo del collettore per l'osmosi inversa: Il collettore può essere installato o sul lato sinistro o su quello destro nell'area del sottolavello o dell'armadietto. Un'altra opzione potrebbe essere l'installazione nello scantinato oppure vicino al lavandino di servizio dove l'accesso all'acqua potabile fredda e lo scarico sono vicini. La posizione scelta deve consentire uno spazio libero adeguato e accessibilità per la sostituzione delle membrane.

Può essere più facile installare prima il rubinetto nelle aree ristrette del sottolavello. Lasciare un'adeguata lunghezza della tubazione per il posizionamento finale del sistema.

2 - IL SISTEMA AD OSMOSI INVERSA DI BASE

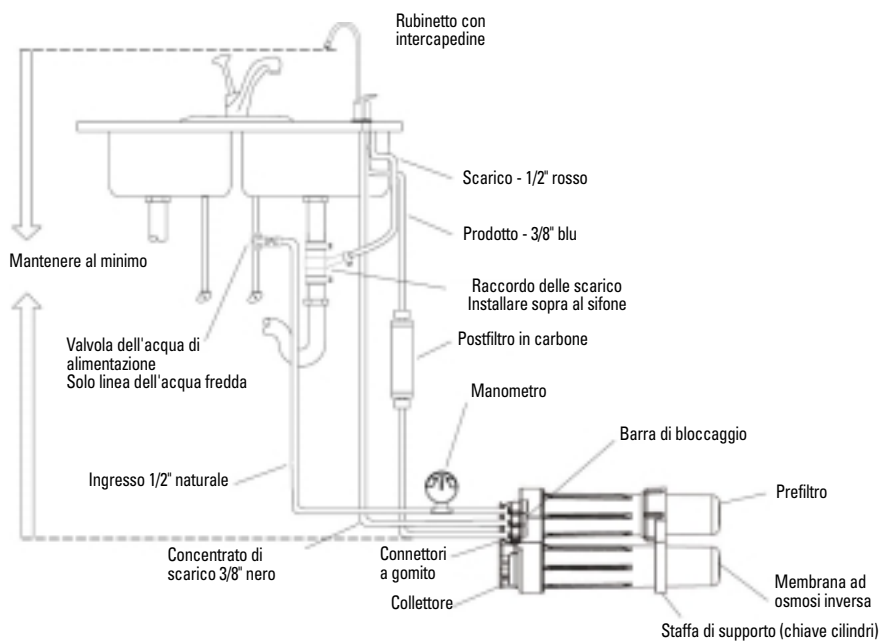
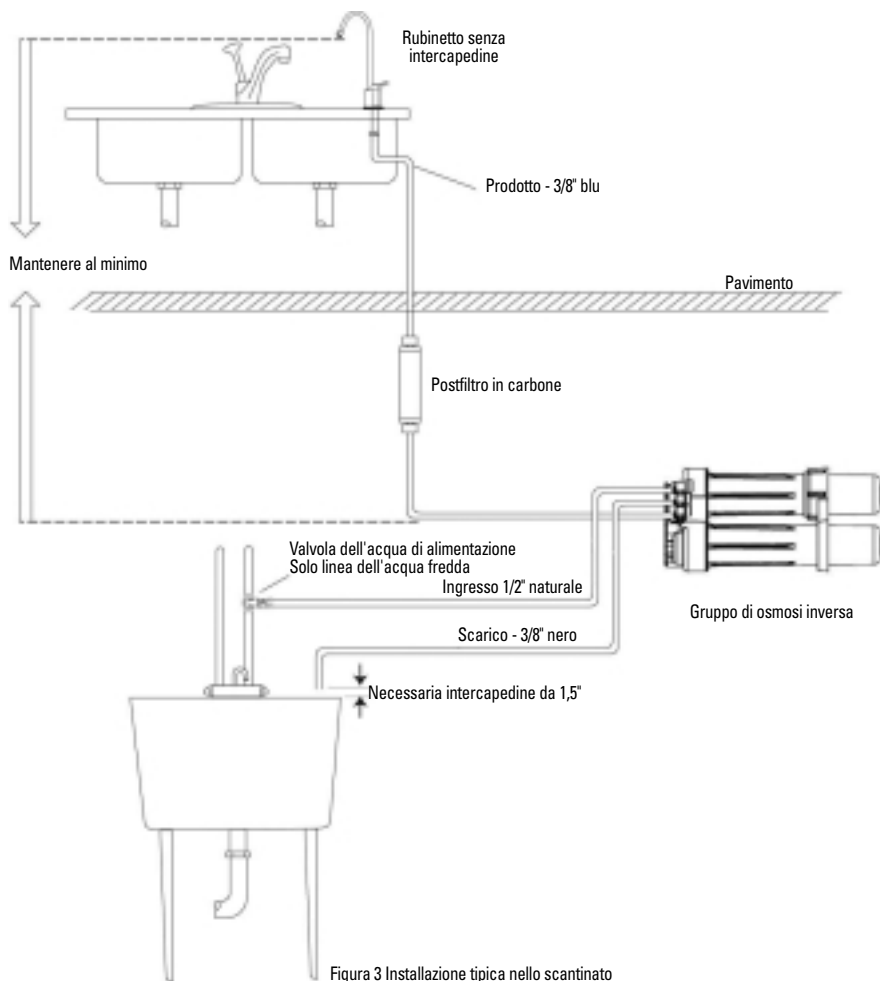


Figura 2 Installazione tipica nel sottolavello

2 - IL SISTEMA AD OSMOSI INVERSA DI BASE



2 - IL SISTEMA AD OSMOSI INVERSA DI BASE

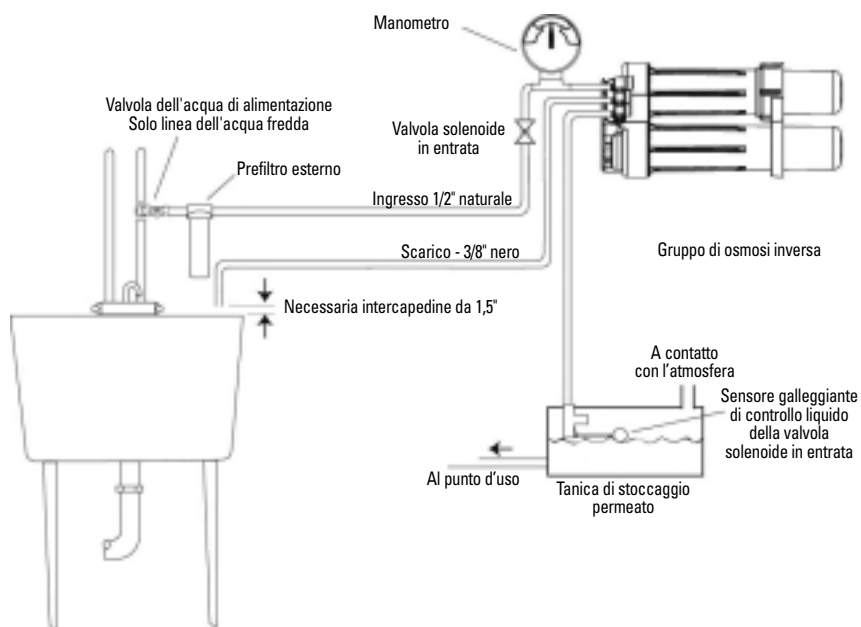


Figura 4 Installazione tipica commerciale

3 - INSTALLAZIONE

FASE 1: Installare la valvola di fornitura dell'acqua fredda

FASE 2: Installare l'adattatore per lo scarico

FASE 3: Installare il rubinetto

FASE 4: Mettere le tubazioni in connessione

FASE 5: Installare il gruppo di osmosi inversa

FASE 6: Avviamento del sistema

NOTA: Consultare un idraulico qualificato se non siete pratici di tali procedure.

Fase 1: Installare la valvola di fornitura dell'acqua fredda

Attenersi ai regolamenti locali di idraulica. Viene mostrata una connessione tipica utilizzando una valvola per la fornitura idrica (Figura 5).

Valvola per la fornitura idrica

NOTA: Assicurarsi di chiudere la fornitura idrica ed aprire un rubinetto inferiore per drenare il tubo.

I tubi dell'acqua fredda variano in dimensioni e modelli. L'installatore determinerà il tipo di valvola che verrà usata. Installare una valvola al tubo della fornitura dell'acqua fredda per adattare alla tubazione dal diametro esterno di 1/2". Se vengono usati raccordi filettati, assicurarsi di impiegare solo giunti per la tubazione o nastro di Teflon all'esterno delle filettature. Chiudere la valvola.

Fase 2: Installare l'adattatore per lo scarico

Seguire le istruzioni nell'appendice per l'installazione del Drain-boa™, se usato. L'adattatore per lo scarico è progettato per un tubo da lavandino da 1"1/2 (3,8 cm). L'adattatore si installa direttamente all'appendice del lavandino.

Fase 3: Installare il rubinetto

A. Preparare il foro di montaggio

1. Scegliere una collocazione per il rubinetto. Assicurarsi che aderisca bene al lavandino o al piano e che sotto ci sia lo spazio necessario per la tubazione.

2. Se è necessario utilizzare il trapano, fare un foro dal diametro di 1"1/2.

ATTENZIONE: Per evitare di danneggiare il lavandino, consultare un idraulico qualificato o un installatore per effettuare fori con il trapano alla ceramica o all'acciaio inox.

B. Assemblare il rubinetto

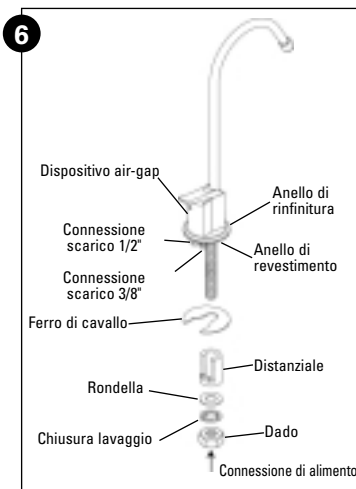
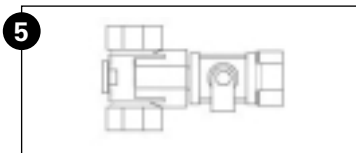
La tubazione e dispositivi di fissaggio sono montati sul rubinetto prima che esso sia messo in posizione. Può essere fatto sopra il lavandino.

1. Far scorrere la guarnizione sulle connessioni delle tubazioni flessibili e in alto fino al fondo del rubinetto.

2. Far scorrere l'anello decorativo sulle connessioni delle tubazioni flessibili e in alto fino al fondo del rubinetto.

3. Far scorrere il distanziale sul tubo filettato, seguito dalla rondella, dal rubinetto di chiusura e dal dado standard.

4. Avvitare il connettore filettato del tubo flessibile alla fine del tubo filettato.



3 - INSTALLAZIONE

5. Connettere la tubazione blu del prodotto da 3/8" spingendo saldamente verso l'interno del connettore.
6. Spingere la tubazione nera da 3/8" dentro alla estremità piccola a gancio del tubo flessibile. La tubazione rossa da 1/2" viene spinta all'interno dell'estremità uncinata larga del tubo flessibile.
7. Mettere il rubinetto al suo posto.
8. Il fermaglio a ferro di cavallo è posizionato intorno al tubo filettato sotto al lavandino e sopra al distanziatore. Questa graffa dovrebbe innestarsi sulla tubazione collegata al traferro.
9. Stringere il dado contro il fermaglio per mantenere il rubinetto al suo posto.

Fase 4: Mettere le tubazioni in connessione

Completate le connessioni al rubinetto, le connessioni rimanenti sono:

- Connessione dell'alimentazione - liberare la tubazione dalla valvola d'alimentazione che porta al connettore a gomito bianco
- Connessione di scarico la tubazione rossa dell'intercapedine o quella nera proveniente dal connettore a gomito grigio si attaccheranno all'adattatore di scarico
- Connessione del permeato la tubazione blu proveniente dal rubinetto verso la connessione a gomito blu
- Attaccare i raccordi al collettore

Viene mostrata una connessione tipica in figura 7: vista laterale e spaccato dei raccordi per la connessione.

NOTA: Per prestazioni ottimali del sistema, suggeriamo di utilizzare tubazioni più corte possibile.

Postfiltro

Installare il postfiltro in linea con la tubazione blu del permeato. Assicurarsi che la direzione del flusso sia in linea con il percorso dell'acqua. Fissare la tubazione con i fermagli di blocco dell'anello di serraggio.

Adattatore dello scarico (opzionale)

L'adattatore dello scarico ha un ingresso in gomma che accetta il tubo nero da 3/8" o il tubo rosso da 1/2". La tubazione nera da 3/8" si conetterà qui se il rubinetto non utilizza il dispositivo air-gap.

Quando la tubazione è in posizione, usare i morsetti del tubo flessibile, in dotazione, per bloccare la connessione.

NOTA: Bagnare la tubazione quando la si fa scorrere nell'ingresso dell'adattatore di scarico. L'acqua aiuterà la tubazione a scorrere nell'ingresso di gomma.

Manometro

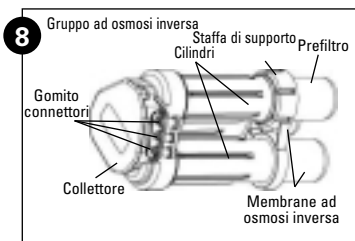
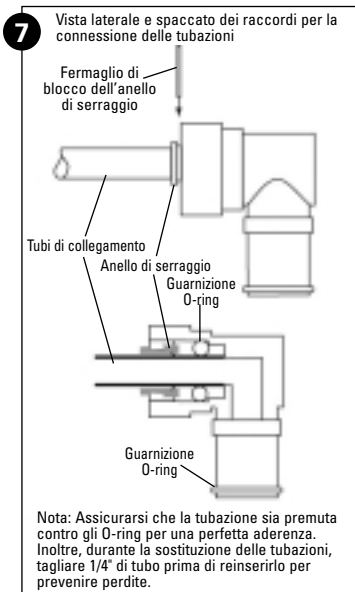
Il manometro in dotazione può essere collegato alla linea di alimentazione per monitorare la pressione del sistema di alimentazione. Per prestazioni ottimali del sistema, la pressione dinamica deve essere tra i 2.76 bar (40 psi) e i 5.52 bar (80 psi) quando il sistema è in stato operativo.

ATTENZIONE: Il manometro deve essere usato solo durante l'installazione e la risoluzione dei problemi del sistema OI. Il manometro deve essere rimosso durante la normale attività del sistema poiché alcune agenzie di regolamentazione non valutano i sistemi OI con il manometro in sede.

Fase 5: Installare il gruppo di osmosi inversa

Il gruppo dell'osmosi inversa include i seguenti componenti: cilindri (3), staffa di supporto, prefiltra, membrane ad osmosi inversa (2) e postfiltro.

La tubazione è attaccata al collettore dai raccordi a gomito. Quando si sceglie la posizione per il sistema, lasciare una tubazione sufficiente per poterlo spostare per la manutenzione periodica dei filtri e delle membrane. (Figura 8: Gruppo ad osmosi inversa)



3 - INSTALLAZIONE

ATTENZIONE: Non tentare di appendere il sistema senza alcun supporto. Non provare a fare dei fori di montaggio in nessun punto del sistema. Se viene posizionato sopra al livello del pavimento/armadietto, si consiglia una mensola solida, permanente.

Posizioni consigliate

Il sistema può essere posizionato in due modalità.

La prima posizione è con l'unità eretta usando la staffa di supporto con i cilindri in posizione orizzontale. La tubazione è direzionata per fornire il migliore adattamento.

La seconda posizione prevede l'unità poggiata su una estremità in maniera tale che il collettore sia in orizzontale e i cilindri puntino verso l'alto. La tubazione è diretta verso l'alto e la barra di bloccaggio è in basso per bloccare le connessioni della tubazione.

Vedere la figura 9: Posizioni dei sistemi.

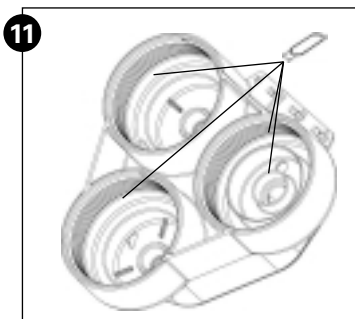
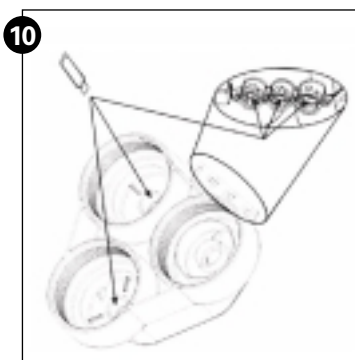
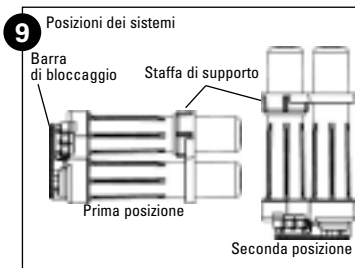
NOTA: Assicurarsi che la staffa di supporto sia installata sugli scarichi.

Lubrificazione delle connessioni

Le connessioni con O-ring devono essere lubrificate in modo appropriato. Le istruzioni seguenti descrivono il metodo e i punti da lubrificare.

Vengono fornite sei confezioni di lubrificante al silicone. Una confezione deve essere usata interamente per ingrassare le superfici di contatto degli O-ring nelle 3 porte del collettore e la posizioni delle due membrane OI (Figura 10). Segue figura 11, ingrassare il luogo in cui si trova il filtro e, per i tre scarichi, la superficie piatta sotto la filettatura. Usare una confezione completa di silicone per ogni scarico.

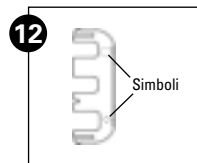
NOTA: Applicare uno strato pulito di grasso al silicone per ingrassare correttamente l'area di contatto degli O-ring. Questo strato deve ricoprire tutta la superficie della zona sulla quale l'O-ring deve scivolare e che deve sigillare. Non utilizzare grasso contenente derivati del petrolio.



3 - INSTALLAZIONE

La tabella in basso mostra il sistema di codifica delle connessioni di raccordo. Ciascun raccordo ha una presa unica "sagomata" sul collettore. Inoltre ciascun raccordo ha un simbolo grafico stampato sul gomito con un simbolo corrispondente sul collettore.

Simbolo del connettore	Connessione	Colore tubazione
	Alimento-Ingresso	Natural
	Concentrato	Nero
	Prodotto	Blu



ATTENZIONE: Assicurarsi di lubrificare gli O-ring dei gomiti di raccordo con lubrificante al silicone prima di inserirli nel collettore.

ATTENZIONE: Non ruotare la valvola dell'acqua in ingresso finché la barra di bloccaggio non sarà al suo posto.
Una volta fatte tutte le connessioni, usare la barra di bloccaggio per stringere i raccordi al proprio posto. Far corrispondere i simboli della barra di bloccaggio ai simboli corrispondenti sul collettore. (Figura 12).

Fase 6: Avviamento del sistema

1. Ispezionare tutte le connessioni.
2. Posizionare il collettore in modo orizzontale con le aperture verso l'alto.
3. Rimuovere le nuove membrane dalla confezione. I nastri gialli e neri che circondano la membrane sono una parte importante della membrana stessa e non devono essere rimossi.

AVVERTENZA: Le membrane contengono un conservante alimentare. Si raccomanda di utilizzare guanti sterili/in lattice.

4. Lubrificare tutti i punti in cui si trovano gli O-ring nel collettore che entra in contatto con lo scarico. Vedere il capitolo "Ingrassaggio delle connessioni".

NOTA: Applicare uno strato pulito di grasso al silicone per ingrassare correttamente l'area di contatto degli O-ring. Questo strato deve ricoprire tutta la superficie della zona sulla quale l'O-ring deve scivolare e che deve sigillare. Non utilizzare grasso contenente derivati del petrolio.

5. Inserire in modo sicuro l'estremità dell'O-ring delle membrane nel collettore.
6. Rimuovere il prefiltro dalla confezione. Verificare che le guarnizioni siano al proprio posto.
7. Porre il prefiltro nel collettore.
8. Sostituire i cilindri e stringere finché non toccano il fondo.

Test di pressione

Per verificare le perdite, il sistema deve essere riempito con acqua e portato alla pressione operativa.

1. Aprire lentamente la valvola di alimentazione dell'acqua fredda. Lasciar correre per un minuto con la valvola aperta per metà, poi aprire completamente.
2. Aprire il rubinetto finché non scorrerà.
3. Verificare se ci sono perdite.

NOTA: Quando il rubinetto viene aperto, all'inizio, l'acqua potrebbe temporaneamente spruzzare dall'intercapedine finché l'aria non sarà completamente uscita. Lasciare aperto per 1-3 ore finché i rumori dovuti all'aria nel sistema non finiranno.

4. Sciacquare il sistema. Aprire il rubinetto e far scorrere l'acqua attraverso il sistema ad osmosi inversa da due fino a otto ore.

NOTA: E' necessario far scorrere l'acqua per almeno due ore per rimuovere il conservante alimentare. Dopo 8 ore, si raggiunge il livello massimo di prestazione.

Il sistema ad osmosi inversa è ora pronto per l'uso.

4 - MANUTENZIONE DEL SISTEMA AD OI

I componenti della sistema ad osmosi inversa sono progettati per funzionare con una manutenzione minima. Tuttavia le membrane ed i filtri necessitano di essere sostituiti regolarmente. Per una prestazione ottimale attivare il sistema per almeno due minuti al giorno, se i periodi di inattività superano le sei ore.

Sostituzione del prefiltro e del postfiltro

Il prefiltro a carbone/sedimento rimuove sedimenti e alcune sostanze chimiche dall'acqua, come il cloro. In base all'utilizzo dell'acqua e dal quantitativo di impurità, questo filtro deve essere sostituito ogni sei/dodici mesi (applicazioni al punto d'uso).

Ogni volta che il prefiltro viene sostituito, deve essere sostituito anche il postfiltro.

Le installazioni che utilizzano più di 75.7 litri (20 galloni) di acqua prodotta al giorno dovrebbero prevedere filtri esterni (non forniti) per ridurre il cloro e i sedimenti più grandi di 10 micron.

Sostituzione delle membrane ad osmosi inversa

La vita funzionale delle membrane ad osmosi inversa varierà in base alla qualità dell'acqua di alimentazione. L'acqua prodotta deve essere testata periodicamente per verificare che le membrane stiano funzionando correttamente. Per la maggior parte delle applicazioni al punto d'uso, le membrane ad osmosi inversa devono essere sostituite ogni due/quattro anni.

NOTA: L'acqua addolcita è consigliata per una prestazione ottimale del sistema e per la durata della membrana ad osmosi inversa.

5 - SOSTITUZIONE DEL PREFILTRO, DEL POSTFILTRO E DELLE MEMBRANE AD OSMOSI INVERSA

1. Chiudere la fornitura idrica del sistema ad osmosi inversa.

2. Ridurre la pressione idrica aprendo il rubinetto.

AVVERTENZA: Anche con la fornitura idrica chiusa i cilindri della membrana e del prefiltro conterranno un quantitativo di acqua considerevole. La maggior parte dell'acqua verrà contenuta posizionando il gruppo dell'osmosi inversa in un lavandino o in una vasca.

3. Scollegare la barra di bloccaggio e porre i raccordi (con la tubazione ancora collegata) in una vasca o in un secchio.

4. Spostare il sistema in una area di contenimento come un lavandino o una vasca.

5. Rimuovere la staffa di supporto dai tre cilindri e svitare dall'alto come mostrato per accedere all'elemento del prefiltro. La staffa di supporto funziona come una chiave per allentare i cilindri, figura 13.

NOTA:

• Non è necessario scollegare la tubazione dai raccordi del collettore. Rimuovere la barra di bloccaggio ed estrarre i raccordi. Lubrificare gli O-ring con il silicone prima di effettuare il riassetto.

• Se si cambiano solo il prefiltro ed il postfiltro, gli altri cilindri possono non essere rimossi. Se si sostituiscono le membrane, anche il prefiltro e il postfiltro devono essere sostituiti.

6. Rimuovere il prefiltro esaurito e gettarlo.

AVVERTENZA: La persona che maneggia i filtri e le membrane deve avere le mani pulite per mantenere il sistema sterile. Si consiglia l'utilizzo di guanti sterili/in lattice.

7. Se si sostituiscono le membrane:

a. Rimuovere i cilindri della membrana. Rimuovere e gettare le membrane usate.

b. Rimuovere le membrane nuove dalla confezione.

AVVERTENZA: Le membrane contengono un conservante alimentare. Si raccomanda fortemente di utilizzare guanti sterili/in lattice.

c. Lubrificare gli O-ring delle membrane, le guarnizioni dello scarico e gli O-ring dei cilindri con lubrificante al silicone. Vedere il capitolo "Lubrificazione delle connessioni" per la corretta procedura di lubrificazione delle cartucce.

d. Inserire saldamente l'estremità dell'O-ring delle membrane nel collettore. Vedere figura 13.

e. Riposizionare i cilindri e stringerli finché non toccheranno il fondo.

NOTA: Il sistema deve essere disinfettato ogni volta che si sostituisce la membrana o il filtro.

8. Disinfettare il sistema.

a. Il collettore deve essere posizionato in aderenza alle connessioni dei cilindri rivolte verso l'alto.

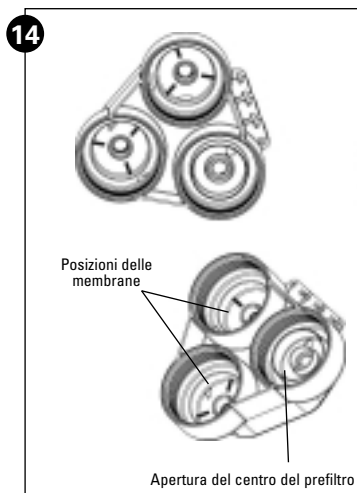
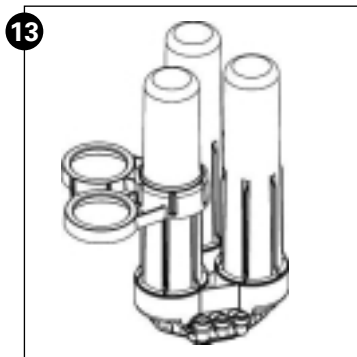
b. Versare un cucchiaino (15 millilitri) di candeggina nell'apertura centrale della connessione del cilindro del prefiltro. Vedere figura 14.

9. Installare il prefiltro.

a. Rimuovere il nuovo prefiltro dalla confezione. Assicurarsi che le guarnizioni siano ben salde. Inserire il prefiltro nell'apertura apposita sul collettore.

b. Lubrificare gli O-ring del cilindro con il lubrificante al silicone.

c. Con l'elemento del prefiltro al proprio posto, avvitare il cilindro nella connessione. Stringere finché non toccherà il fondo.



5 - SOSTITUZIONE DEL PREFILTRO, DEL POSTFILTRO E DELLE MEMBRANE AD OSMOSI INVERSA

10. Sostituire il postfiltro.

a. Per sbloccare i raccordi dalla tubazione, spingere verso il basso sulle linguette dell'anello di serraggio ed estrarre la tubazione.

b. Gettare il postfiltro esaurito.

c. Per prevenire perdite, accorciare la tubazione a circa 1/4" prima di collegarla al nuovo postfiltro. Assicurarsi che la freccia della direzione del flusso si allinei con il percorso dell'acqua. Reinserrare la tubazione e bloccare.

11. Riconnettere i raccordi al collettore e bloccare in posizione con la barra di bloccaggio.

12. Riposizionare il gruppo e aprire la fornitura idrica. Verificare che il sistema non abbia perdite.

ATTENZIONE: Quando il rubinetto è aperto, l'acqua potrebbe schizzare dal dispositivo air-gap finché il sistema non verrà liberato da tutta l'aria.

13. Aprire il rubinetto e far scorrere l'acqua per due minuti.

NOTA: Possono essere presenti particelle di carbone finché l'elemento del postfiltro non sarà stato sciacquato.

14. Chiudere il rubinetto e lasciare il sistema in pressione per 20-30 minuti.

15. Aprire il rubinetto e far scorrere l'acqua per due minuti o comunque finché l'odore di cloro non si sentirà più.

16. Verificare che non ci siano perdite nel sistema.

NOTA: Se si sostituiscono le due membrane OI, il sistema deve essere sciacquato secondo quanto indicato al punto 6 della procedura di messa in funzione del sistema riportata in questo manuale.

Il sistema ad osmosi inversa è ora pronto per l'uso.

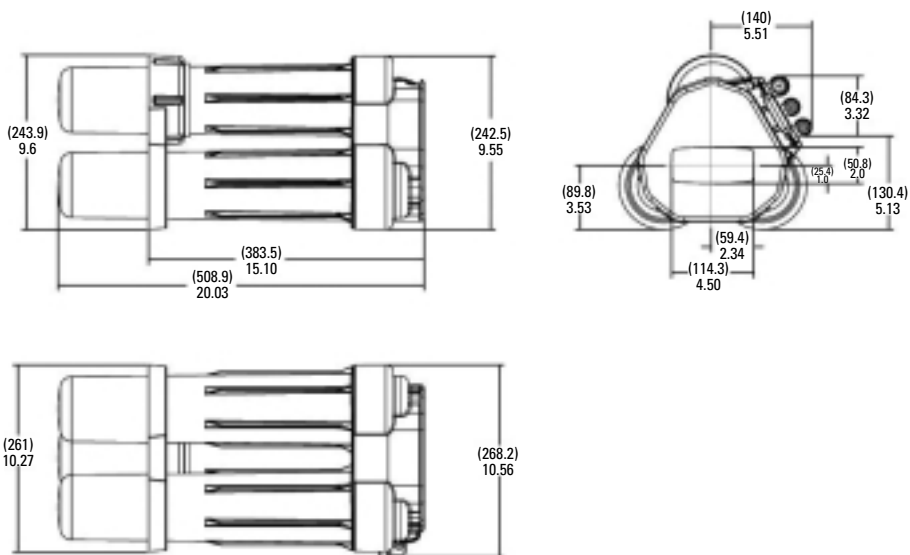
6 - SPECIFICHE

Prestazioni

Condizioni operative minime e massime

Condizioni	Minimo	Massimo
Pressione di ingresso	2.76 bar (40 psi)	5.52 bar (80 psi)
Temperatura in ingresso	4.44°C (40°F)	37.78°C (100°F)
TDS in ingresso	50 mg/L	2,000 mg/L
Durezza in ingresso	0 mg/L (0 grain)	171 mg/L (10 grain)
Cloro in ingresso	0 mg/L	1.0 mg/L
Ferro in ingresso	0 mg/L	0.1 mg/L
Manganese in ingresso	0 mg/L	0.05 mg/L
pH in ingresso	4	10
Torbidità in ingresso	0	1 NTU

Dimensioni



7 - RISOLUZIONE DEI PROBLEMI

Problema	Possibile causa	Soluzione
Basso flusso di produzione	Bassa pressione in entrata	Aumentare la pressione in entrata. Considerare una pompa per i punti con scarsa pressione. Usare tubi corti per ridurre le limitazioni del flusso. Aumentare il diametro dei tubi per le distanze maggiori.
	Bassa temperatura dell'acqua o totale elevato dei solidi disciolti (TDS)	Aumentare la temperatura dell'acqua in entrata o la pressione in ingresso per compensare.
	Prefiltro otturato	Sostituire il prefiltro otturato. Considerare un prefiltro per sedimenti per applicazioni senza cloro.
	Membrane OI sporche o incrostate	Sostituire le membrane.
	Rubinetti non regolati in modo corretto	Stringere la barra a T del rubinetto il più possibile senza causare perdite.
	Postfiltro otturato	Se il flusso nel postfiltro è accettabile, sostituirlo.
	Perdita o deviazione nella linea di prodotto	Trovare e riparare la perdita o la deviazione.
L'acqua concentrata va nello scarico dopo il blocco del rubinetto	Prefiltro otturato	Sostituire il prefiltro otturato. Considerare un prefiltro per sedimenti per applicazioni senza cloro.
	Perdita nella linea del prodotto	Trovare e riparare la perdita. Installare un manometro nella linea di prodotto per facilitare l'identificazione di una perdita di pressione.
Scarsa qualità dell'acqua prodotta	Campione di acqua preso durante il risciacquo del sistema	Prendere un campione dopo tre minuti di funzionamento continuo.
	Bassa pressione	Aumentare la pressione d'ingresso. Considerare una pompa per i punti con scarsa pressione. Usare tubi corti per ridurre le limitazioni del flusso. Aumentare il diametro dei tubi per le distanze maggiori.
	Prefiltro otturato	Sostituire il prefiltro otturato. Considerare un prefiltro per sedimenti per applicazioni senza cloro.
	Membrane OI sporche, incrostate o danneggiate	Sostituire le membrane OI.

8 - INSTALLATION INFORMATION AND INSTRUCTIONS FOR DRAIN COUPLING, DRAIN-BOA™ MODEL DC9700

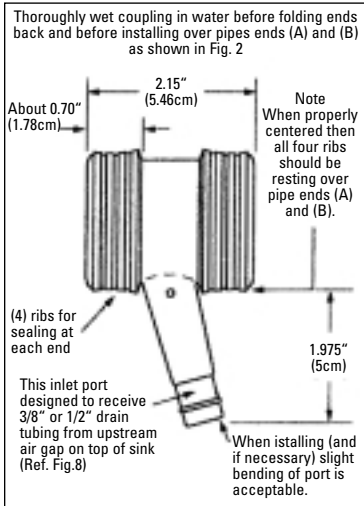


Fig. 1
Drain-BOA™ Rubber Coupling folded back on itself at each end and ready to be installed in the kitchen sink tailpiece
(Measures just over 2.125" when fully folded back as shown).

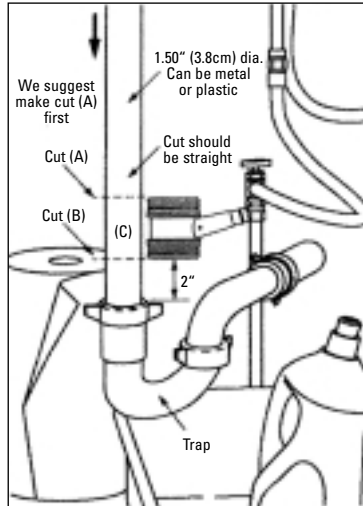


Fig. 2
Typical view under kitchen sink with 1.5" dia. plastic tailpiece and sink trap.
(Use very fine teeth hacksaw blade, recommend 32 teeth per inch. Use folded coupling as a template to mark tailpiece for cuts (A) and (B). Discard item (C).

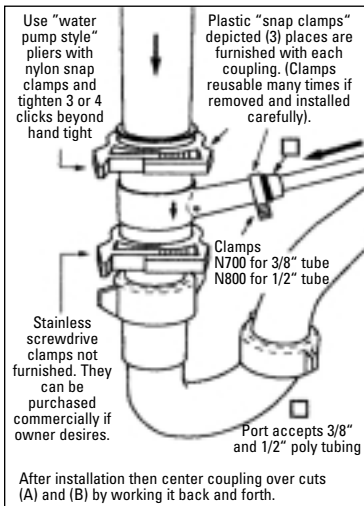


Fig. 3
Typical view of (Fig.2) plastic tailpiece after installing the Drain-BOA™ Rubber Coupling
(Polyethylene drain tubing from air gap properly inserted to inner stop and clamped). (Note: Wet tubing only with water before installation).

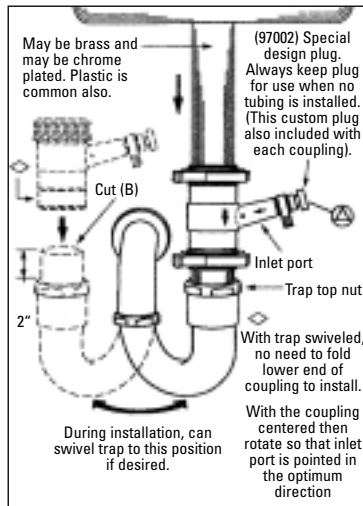


Fig. 4
Depicts metal 1.5" kitchen sink tailpiece with Drain-BOA™ properly installed.
(Solid plug depicted here in lieu of the typical 3/8" O.D. Polyethylene tubing as if the "R.O." system has been removed). Solid plug (97002) must be installed at all times when tubing is not installed.

8 - INSTALLATION INFORMATION AND INSTRUCTIONS FOR DRAIN COUPLING, DRAIN-BOA™ MODEL DC9700

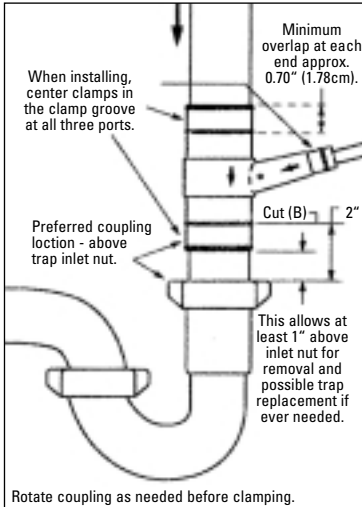


Fig. 5

This coupling depicted before the clamps are installed.
(If large stainless screw drive clamps are used (ref. Fig.6), their width must be 0.50" (preferred).

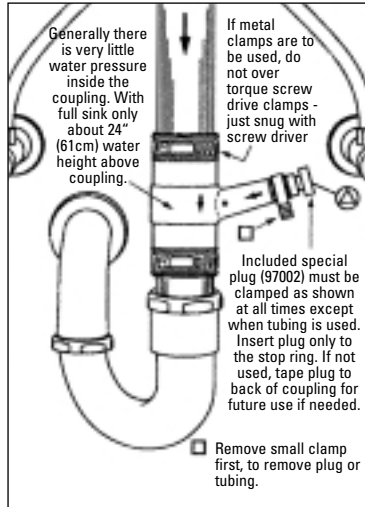


Fig. 6

Depicts Drain-BOA™ coupling installed with stainless steel screwdrive clamps on the large parts.
(Either tubing or solid plug (97002) must be installed at all times, otherwise leakage will occur out this port).

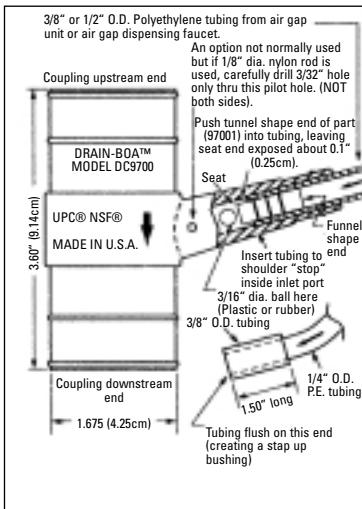


Fig. 7

Depicts certain dimensions and marking cut 3/8" or 1/2" poly tubing square and wet only with water before inserting to "stop".
(Above Fig. shows partial cutaway of inlet port for illustration purposes. Nylon rod, ball and seat (kit DC97) may be a possible option later).

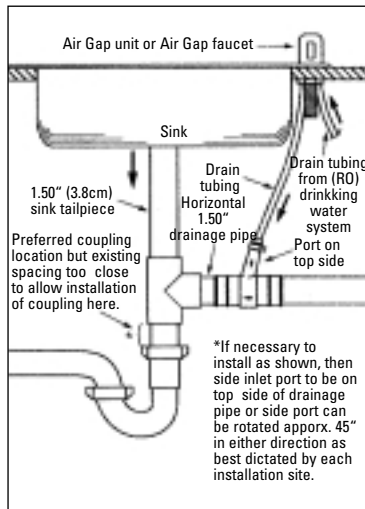


Fig. 8

Depicts Drain-BOA™ coupling installed in a horizontal branch below kitchen sink, due to space limitations at the preferred installation site.
(Always install unit according to flow arrows).

